

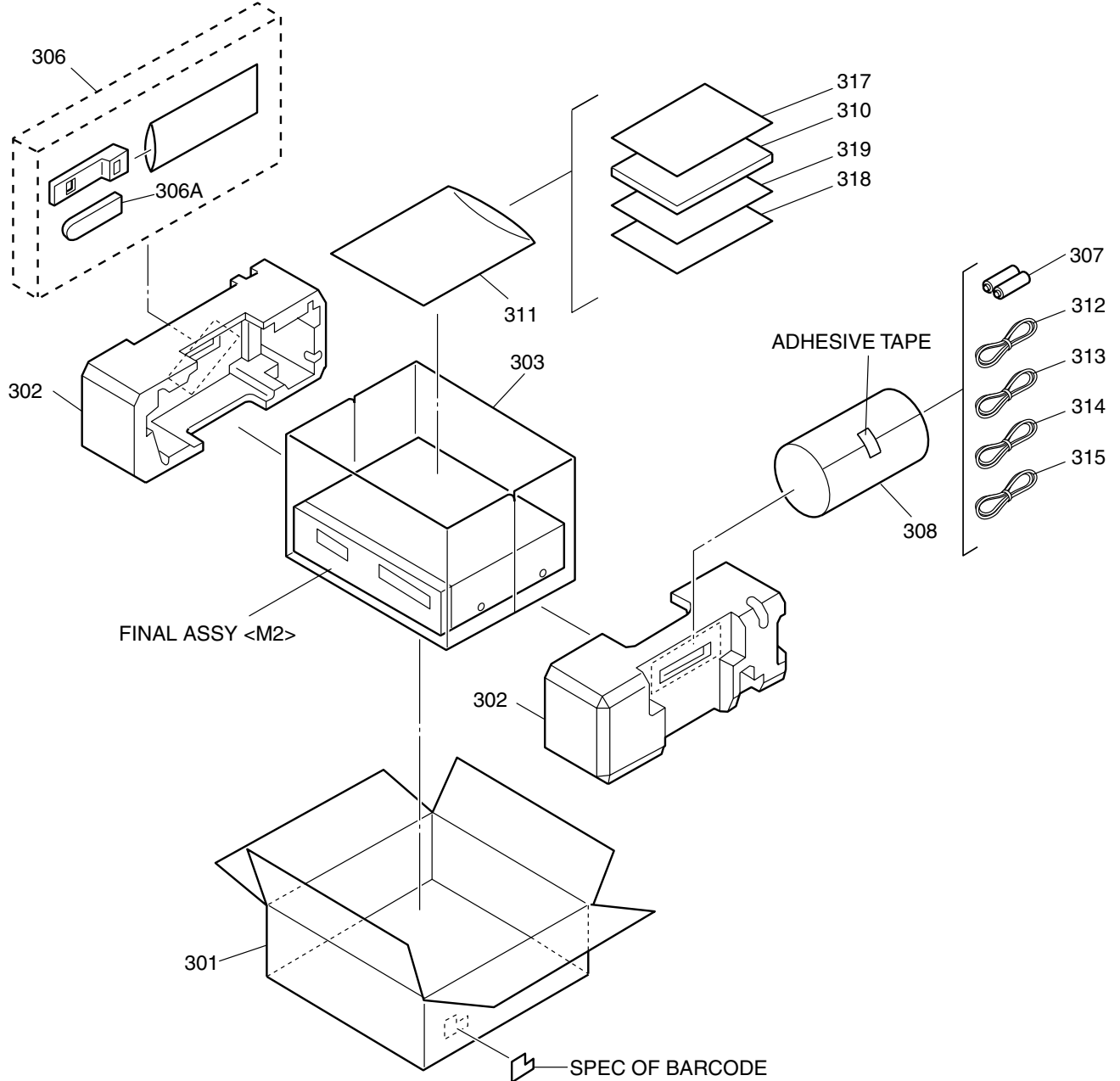
SECTION 5 PARTS LIST

SAFETY PRECAUTION

Parts identified by the \triangle symbol are critical for safety. Replace only with specified part numbers.

5.1 PACKING AND ACCESSORY ASSEMBLY <M1>

The instruction manual to be provided with this product will differ according to the destination.



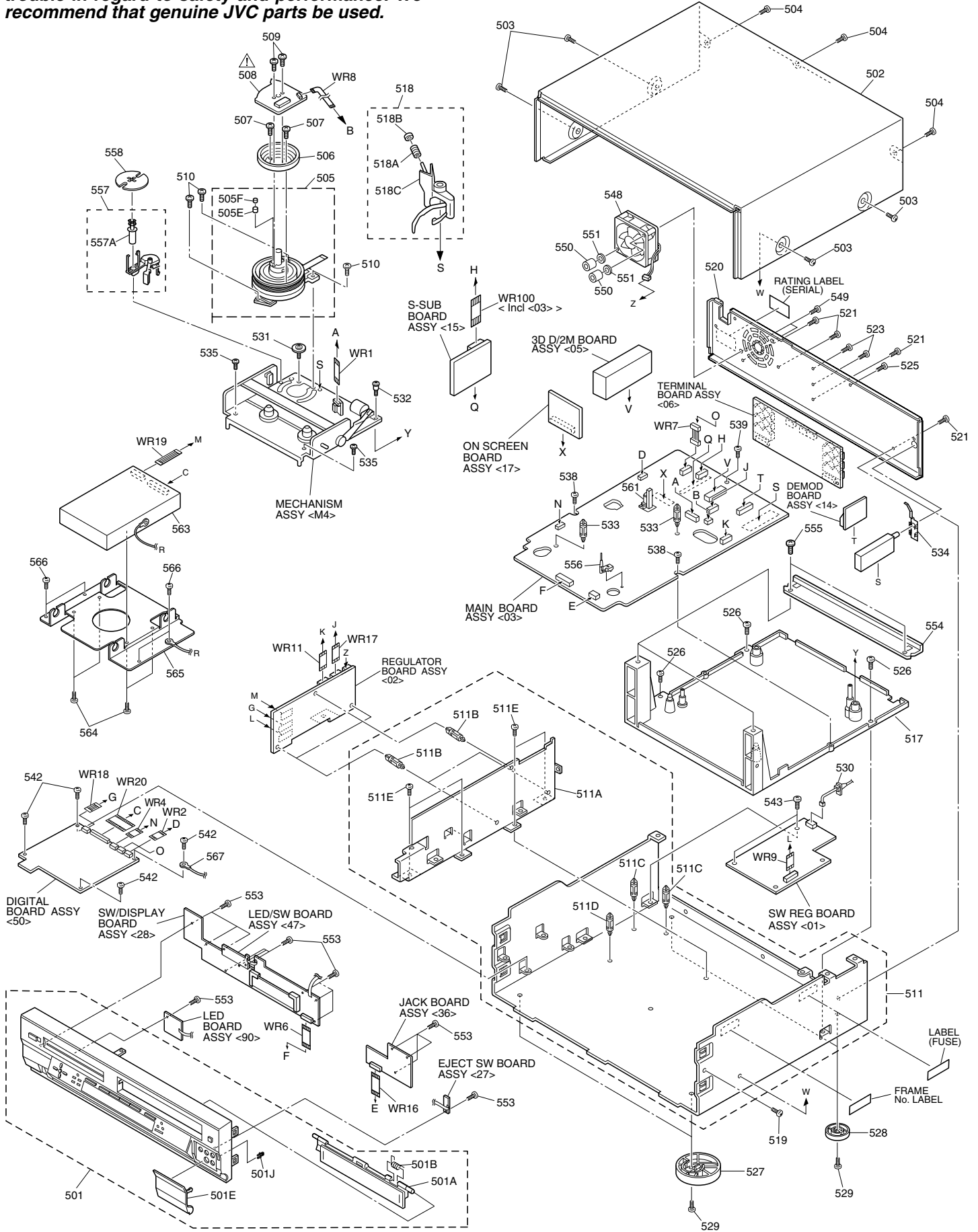
# \triangle	REF No.	PART No.	PART NAME, DESCRIPTION	# \triangle	REF No.	PART No.	PART NAME, DESCRIPTION

PACKING AND ACCESSORY ASSEMBLY <M1>							
		301	LP30850-004A			310	LPT0585-001A
		302	LP30868-001B			310	LPT0585-002A
		303	PQM30021-95			311	QPC02503530P
		306	LP20873-010C			312	PEAC0294-04
		306A	LP40254-010A			313	QAM0310-001
		307	-			314	QAM0004-002
		308	QPC02202230P			315	QAL0095-005
						317	BT-51020-2
						318	BT-20071B
						319	PU36560

5.2 FINAL ASSEMBLY <M2>

BEWARE OF BOGUS PARTS

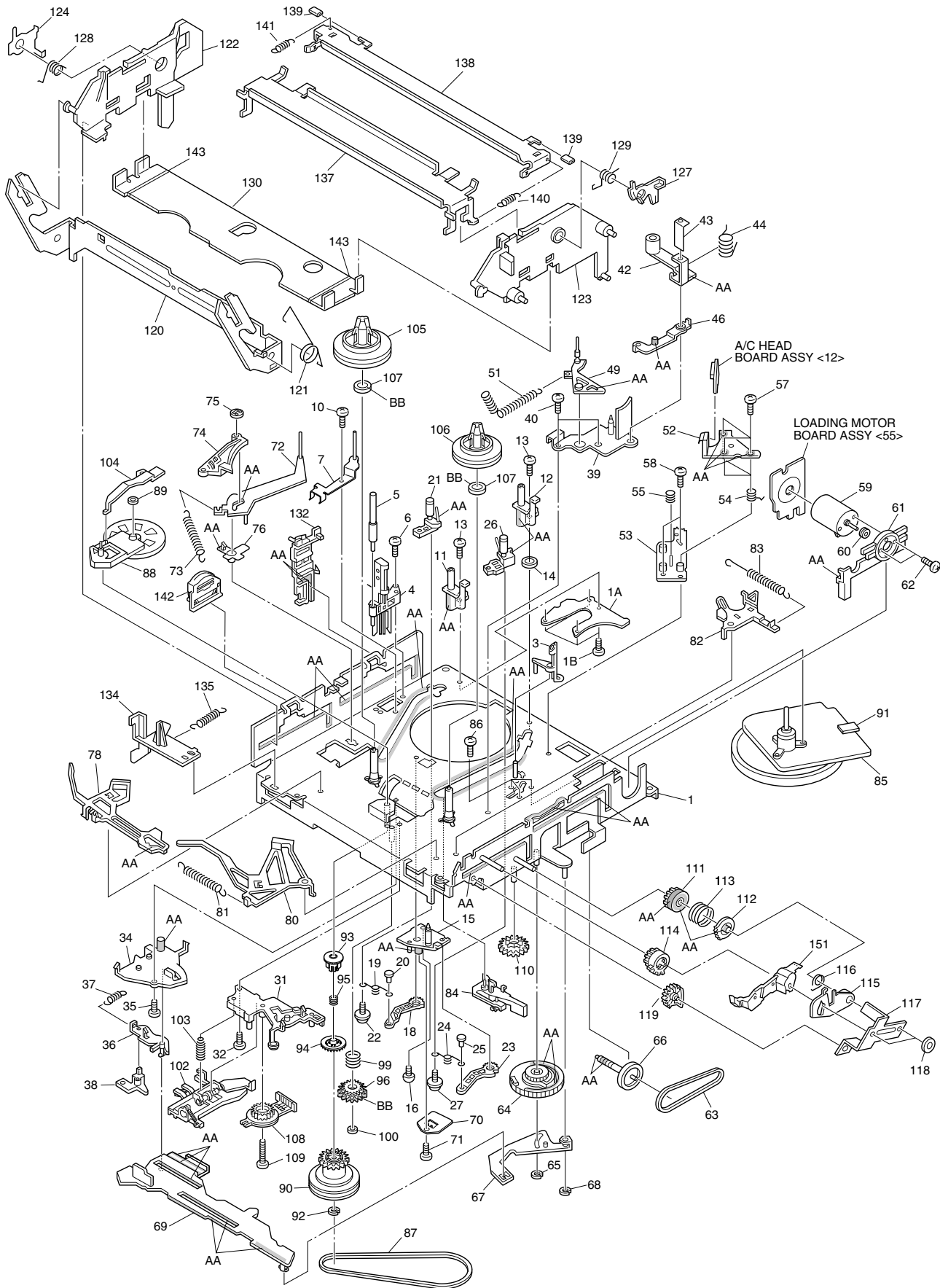
Parts that do not meet specifications may cause trouble in regard to safety and performance. We recommend that genuine JVC parts be used.



#	△ REF No.	PART No.	PART NAME, DESCRIPTION	#	△ REF No.	PART No.	PART NAME, DESCRIPTION

FINAL ASSEMBLY <M2>							
△	501	LP10331-010A	FRONT PANEL ASSY	561	LP40253-001B		STOPPER
	501A	LP20968-007A	CASSETTE DOOR	563	LPH30379-002A		HDD
	501B	PQ46448	TORSION SPRING	564	LP40738-001A		SCREW,X4 HDD
	501E	LP30763-009A	DOOR(JACK)	565	LP20962-001A		FRAME(HDD)
	501J	PU60109	CATCHER	566	QYTDST3006Z		SCREW,X4
△	502	LP10128-006A	TOP COVER	567	PU49485-4		WIRE CLAMP
	503	QYTDST3006R	SCREW,X4 TOP COVER(SIDE)	WR1	WJT0005-002A		E-CARD WIRE,A/C HEAD CN2001
	504	QYTDST3006M	SCREW,X3 TOP COVER(REAR)	WR2	QUQ210-0826CC		FFC WIRE,DIGITAL CN2601
	505	LP20617-008A	DRUM SUB ASSY	WR4	QUQ210-0620CC		FFC WIRE,DIGITAL CN3014
	505E	LP40323-001A	CONTACT	WR6	QUQ112-1810CG		FFC WIRE,FRONT CN7507
	505F	LP30004-014A	COMPRESSION SPRING	WR7	QJN019-063011		SHI CR C-C WIRE,DIGITAL CN703
	506	PDZ0179-1-4	ROTOR ASSY	WR8	QUQ212-0516CG		FFC WIRE,DRUM CN3001
	507	QYSPSP3006Z	SCREW,X2	WR9	QUQ212-1910CG		FFC WIRE,SW/REG CN5301
△	508	QAR0119-001	STATOR ASSY	WR11	QUQ212-1336CG		FFC WIRE,REG CN7509
	509	QYSPSPH2606Z	SCREW,X2	WR16	QUQ112-1010CG		FFC WIRE,FRONT CN3010
	510	QYTDST2610Z	SCREW,X3 DRUM	WR17	QUQ212-1128CG		FFC WIRE,REG CN7508
△	511	LP10156-003B	BOTTOM CHASSIS ASSY	WR18	QJJ001-091704		SIN CR C-C WIRE,DIGITAL CN5323
	511A	LP10130-002B	BRACKET(1)	WR19	QJJ032-041504		SIN CR C-C WIRE,HDD CN5324
	511B	PEME0834	SPACER (BOARD),X3	WR20	WJS0018-001A		E-FL/RB WIRE,HDD CN8001
	511C	LP40696-001A	HOLDER(BOARD),X2				
	511D	LP40696-002A	HOLDER(BOARD)				
	511E	QYTDST3006Z	SCREW,X4				
	517	LP20939-001C	BASE(1)				
	518	LP40369-001D	CLEANER ASSY				
	518A	PQ46418-1-2	CLEANER ROLLER				
	518B	PQ46419-1-2	CLEANER				
	518C	LP30407-001D	CLEANER ARM				
	519	QYTDSF3010Z	SCREW,BOTTOM CHASSIS				
△	520	LP10339-003A	REAR COVER				
	521	QYTDST3006M	SCREW,X4				
	523	QYTDSF3008M	SCREW,X2 RCA				
	525	QYTDSF3008M	SCREW,S JACK				
	526	QYTDST3006Z	SCREW,X3 BASE(1)				
	527	PQ46617C	FOOT ASSY,X2				
	528	PQ35504	FOOT(2),X2				
	529	QYTDST3006Z	SCREW,X4				
△	530	QMPD190-170-K	POWER CORD				
	531	PQ40413	SPECIAL SCREW,MECHA				
	532	QYTDSF4012Z	SCREW,MECHA				
	533	LP40226-001A	PC SUPPORT,X2				
	534	PQ21623-2-5	EARTH PLATE(RF)				
	535	QYTDSF3010Z	SCREW,X2 MECHA				
	538	QYTDSF3010Z	SCREW,X2 MAIN				
	539	QYTDST3006Z	SCREW,MAIN				
	542	QYTDST3006Z	SCREW,X4 DIGITAL				
	543	QYTDST3006Z	SCREW,X2 SW.REG				
	548	QAR0121-001	FAN MOTOR				
	549	QYTDSP4030M	SCREW,X2				
	550	QYNNNS4000Z	NUT,X2				
	551	QYWLS4277A0Z	SPRING WASHER,X2				
	553	QYTDSF2608Z	SCREW,X15 FRONT BOARD				
	554	LP30312-001B	BRACKET(CHASSIS)				
	555	QYTDSF3010Z	SCREW,X2				
	556	LP40407-001A	KNOB ASSY				
	557	LP40370-001E	ROLLER ARM ASSY				
	557A	PDM4311A-1	ROLLER ASSY				
	558	PQ44230	INERTIA PLATE				

5.3 MECHANISM ASSEMBLY <M3>



Classification	Part No.	Symbol in drawing
Grease	KYODO-SH-P	AA
Oil	COSMO-HV56	BB

NOTE: This section indicates that the grease and oil are to be applied on locations marked with AA and BB. During checking and servicing, check if grease has been applied on the locations marked with AA and oil on the locations marked with BB.

#	△ REF No.	PART No.	PART NAME, DESCRIPTION	#	△ REF No.	PART No.	PART NAME, DESCRIPTION

MECHANISM ASSEMBLY <M3>							
1		LP20821-002F	MAIN DECK ASSY	73		LP30003-010A	TENSION SPRING
1A		LP40275-004B	PLATE(SUPPLY)	74		LP40109-003D	TENSION BRAKE ASSY
1B		QYTDST2605Z	SCREW,X4	75		PQ46302-1-3	ADJUST PIN
3		LP30492-002B	GIDE POLE GUARD	76		LP30232-002A	TENSION ARM BEARING
4		NAH0001-001	FULL ERASE HEAD	78		LP40532-009B	MAIN BRAKE ASSY (SUPPLY)
5		LP40098-001B	GUIDE POLE(SUPPLY)	80		LP40111-014C	MAIN BRAKE ASSY (TAKE UP)
6		QYTDST2608Z	SCREW	81		LP30003-029A	TENSION SPRING
7		LP40637-002A	TENSION STUD BASE ASSY	82		LP40112-001F	SUB BRAKE ASSY(TAKE UP)
10		QYTDST2606Z	SCREW	83		LP40357-001B	TENSION SPRING
11		LP30409-002C	UV CATCHER 2(SUPPLY)	84		LP40461-001A	CAPSTAN BRAKE ASSY
12		LP30409-002C	UV CATCHER 2(TAKE UP)	85		QAR0132-001	CAPSTAN MOTOR
13		QYTPST2606Z	SCREW,X2	86		QYTDSF2606M	SCREW,X3
14		PQ40919-10	SPACER	87		LP30005-008A	BELT,CAPSTAN MOTOR
15		LP30223-003C	LOADING ARM GEAR SHAFT	88		LP40114-011B	IDLER ARM ASSY
16		QYTDST2606Z	SCREW	89		LP30016-001A	SLIT WASHER
18		LP30224-001B	LOADING ARM GEAR(SUPPLY)	90		LP40593-003B	CLUTCH UNIT 3
19		LP40099-001A	TORSION ARM	91		LP30002-097A	SPACER
20		LP40100-001A	PIN	92		PQM30017-47	SLIT WASHER
21		LP40101-006A	POLE BASE ASSY(SUPPLY)	93		LP30696-002A	CLUTCH GEAR 4
22		QYSPSTG2606Z	SCREW	94		LP30697-003A	COUPLING GEAR
23		LP40103-002B	LOADING ARM GEAR(TAKE UP)	95		LP40554-002A	COMPRESSION SPRING
24		LP40099-001A	TORSION ARM	96		LP40442-001A	DIRECT GEAR
25		LP40100-001A	PIN	99		LP40483-002A	COMPRESSION SPRING
26		LP40104-006A	POLE BASE ASSY(TAKE UP)	100		LP30016-001A	SLIT WASHER
27		QYSPSTG2606Z	SCREW	102		LP40484-003B	CHANGE LEVER ASSY
31		LP20233-004B	ROTARY ENCODER GUIDE	103		LP40512-002B	COMPRESSION SPRING
32		QYTPST2606Z	SCREW	104		LP30236-002C	IDLER LEVER
34		LP30226-004E	CONTROL PLATE GUIDE	105		LP20237-003B	REEL DISK ASSY(SUPPLY)
35		QYTPST2605Z	SCREW	106		LP20238-003B	REEL DISK ASSY(TAKE UP)
36		LP30249-003B	TAKE UP LEVER	107		LP30017-015A	SPACER,X2
37		LP30003-006A	TENSION SPRING	108		QSW0554-003	ROTARY ENCODER
38		LP40119-002A	T.UP HEAD	109		LP40746-001A	SPECIAL SCREW
39		LP20234-004B	LID GUIDE	110		LP30237-002B	CASSETTE GEAR
40		QYTDST2606Z	SCREW,X2	111		LP30239-002G	LIMIT GEAR(1)
42		LP40105-003A	PINCH ROLLER ARM ASSY	112		LP30240-002G	LIMIT GEAR(2)
43		LP40753-001A	PINCH ROLLER SHEET 3	113		LP40136-001E	TORSION SPRING
44		LP40148-002A	TORSION SPRING	114		LP30242-002A	RELAY GEAR
46		LP40149-001C	PRESS LEVER ASSY	115		LP30339-002E	OPENER GUIDE
49		LP40106-007A	GUIDE ARM ASSY	116		LP40545-001A	TORSION SPRING
51		LP40134-001C	TENSION SPRING	117		LP40214-001B	C.H.BRACKET
52		QAH0010-004	AC HEAD	118		PQM30017-47	SLIT WASHER,X2
53		LP30228-001A	HEAD BASE	119		LP30243-001D	DRIVE GEAR
54		LP30004-013A	COMPRESSION SPRING,X3	120		LP20240-001G	DRIVE ARM
55		LP40236-001A	COMPRESSION SPRING	121		LP40137-001A	TORSION SPRING
57		LP40213-002B	SPECIAL SCREW,X3	122		LP10081-002L	SIDE HOLDER(L)
58		QYTDST2608Z	SCREW,X2	123		LP10082-002M	SIDE HOLDER(R)
59		QAR0023-001	LOADING MOTOR	124		LP30255-006A	LOCK LEVER(L)
60		PQ43546-1-2	MOTOR PULLEY	127		LP30256-001H	LOCK LEVER(R)
61		LP30230-001B	MOTOR GUIDE	128		LP40168-003A	TORSION SPRING(L)
62		QYTPSP3003Z	SCREW,X2	129		LP40218-001B	TORSION SPRING(R)
63		LP30005-003A	BELT,LOADING MOTOR	130		LP30257-001G	CASSETTE HOLDER
64		LP20791-002D	CONTROL CAM	132		LP30244-002G	GUIDE RAIL
65		PQM30017-24	SLIT WASHER	134		LP30245-002F	REC SAFETY LEVER
66		LP40120-001A	WORM GEAR	135		LP30003-004A	TENSION SPRING
67		LP40107-002A	LINK LEVER ASSY	137		LP20578-001C	TOP GUIDE
68		PQM30017-24	SLIT WASHER	138		LP30500-001C	HOLD PLATE
69		LP10284-002E	CONTROL PLATE	139		LP40450-003A	PAD,X2
70		LP40379-001B	CONTROL BRACKET(1)	140		LP30003-025B	TENSION SPRING
71		QYTDSF2608M	SCREW	141		LP30003-024A	TENSION SPRING
72		LP40108-002A	TENSION ARM ASSY	142		LP40481-003A	ROLLER CAM ASSY
				143		LP30019-014A	PAD,X2
				151		LP20324-003B	DOOR OPENER

5.4 ELECTRICAL PARTS LIST

#	△ REF No.	PART No.	PART NAME, DESCRIPTION

SW REGULATOR BOARD ASSEMBLY <01>			
PW1		LPA10119-05A1	SW.REG BOARD ASSY
IC5101		STR-F6552	IC
IC5301		L5431	IC
		or MM1431AT	IC
Q5301		2SD1819A/RS/-X	TRANSISTOR
		or 2SC4081/RS/-X	TRANSISTOR
		or 2PC4081/R/-X	TRANSISTOR
Q5302		DTA114EU	TRANSISTOR
		or PDTA114EU	TRANSISTOR
		or RN2302	TRANSISTOR
		or UN5111	TRANSISTOR
D5001		RBV-404	DIODE
D5101		AU01	FR DIODE
		or ERA18-04-T2	FR DIODE
		or 1SR153-400-T2	FR DIODE
		or 10ELS4	FR DIODE
D5102		AU01Z	FR DIODE
		or ERA18-02-T2	FR DIODE
		or PG104RS	FR DIODE
		or 1SR153-400-T2	FR DIODE
		or 10ELS2	FR DIODE
D5103		1SS133	DIODE
		or 1SS270A	DIODE
D5104		AU01	FR DIODE
		or ERA18-04-T2	FR DIODE
		or 1SR153-400-T2	FR DIODE
		or 10ELS4	FR DIODE
D5201		AK04	DIODE
		or 1S4	SB DIODE
		or 11EQS04	SB DIODE
D5202		FML-12S	FR DIODE
		or SF5LC20U	FR DIODE
		or YG901C2	FR DIODE
		or ER602FCT	FR DIODE
		or FCF06A20	FR DIODE
D5203		FMB-24	BARRIER DIODE
		or FSQ05A04B	SB DIODE
		or SB640FCT	SB DIODE
		or SF5SC4	SB DIODE
		or YG801C04	SB DIODE
D5204		1SR153-400-T2	FR DIODE
		or 10ELS2	FR DIODE
		or ERA18-02-T2	FR DIODE
		or PG104RS	FR DIODE
D5206		FMB-24	BARRIER DIODE
		or FSQ05A04B	SB DIODE
		or SB640FCT	SB DIODE
		or YG801C04	SB DIODE
		or SF5SC4	SB DIODE
D5210		AU01Z	FR DIODE
		or ERA18-02-T2	FR DIODE
		or PG104RS	FR DIODE
		or 1SR153-400-T2	FR DIODE
		or 10ELS2	FR DIODE
D5211		AU01Z	FR DIODE
		or ERA18-02-T2	FR DIODE

#	△ REF No.	PART No.	PART NAME, DESCRIPTION
		or PG104RS	FR DIODE
		or 1SR153-400-T2	FR DIODE
		or 10ELS2	FR DIODE
D5301		MTZJ15A	ZENER DIODE
		or RD15ES/B1/-T2	ZENER DIODE
D5303		MTZJ7.5A	ZENER DIODE
		or RD7.5ES/B1/-T2	ZENER DIODE
D5304		1SS133	DIODE
		or 1SS270A	DIODE
D5305		MTZJ27C	ZENER DIODE
		or RD27ES/B3/-T2	ZENER DIODE
D5306		MTZJ2.7B	ZENER DIODE
		or RD2.7ES/B2/-T2	ZENER DIODE
D5307		1SS133	DIODE
		or 1SS270A	DIODE
D5308		1SS133	DIODE
		or 1SS270A	DIODE
D5310		1SS133	DIODE
		or 1SS270A	DIODE
D5311		1SS133	DIODE
		or 1SS270A	DIODE
D5312		1SS133	DIODE
		or 1SS270A	DIODE
D5313		1SS133	DIODE
		or 1SS270A	DIODE
△ R5001		QRZ9046-475Z	RESISTOR 4.7MΩ,1/2W
R5101		QRG02GJ-683	OMF RESISTOR 68kΩ,2W
R5102		QRE141J-1R0Y	RESISTOR 1Ω,1/4W
R5103		NRSA02J-332X	MG RESISTOR 3.3kΩ,1/10W
R5104		QRE141J-681Y	RESISTOR 680Ω,1/4W
R5105		QRT01DJ-R39X	MF RESISTOR 0.39Ω,1W
R5106		QRG02GJ-683	OMF RESISTOR 68kΩ,2W
R5302		NRSA02J-472X	MG RESISTOR 4.7kΩ,1/10W
R5303		NRVA02D-123X	CMF RESISTOR 12kΩ,1/10W
R5304		NRVA02D-302X	CMF RESISTOR 3kΩ,1/10W
R5305		NRSA02J-223X	MG RESISTOR 22kΩ,1/10W
△ R5306		QRZ9005-470X	FUSI RESISTOR 47Ω,1/4W
R5307		NRSA02J-221X	MG RESISTOR 220Ω,1/10W
R5308		NRSA02J-102X	MG RESISTOR 1kΩ,1/10W
R5309		NRSA02J-122X	MG RESISTOR 1.2kΩ,1/10W
R5310		QRL02DJ-821X	OMF RESISTOR 820Ω,2W
R5311		NRSA02J-473X	MG RESISTOR 47kΩ,1/10W
R5313		NRSA02J-561X	MG RESISTOR 560Ω,1/10W
R5314		NRSA02J-103X	MG RESISTOR 10kΩ,1/10W
R5316		NRSA02J-102X	MG RESISTOR 1kΩ,1/10W
R5317		NRSA02J-333X	MG RESISTOR 33kΩ,1/10W
B5001		QUY160-100Y	IM BUS WIRE
B5002		QUY160-100Y	IM BUS WIRE
B5003		QUY160-100Y	IM BUS WIRE
△ C5001		QFZ9073-683	F CAPACITOR 0.068μF,250V
△ C5002		QFZ9051-223	F CAPACITOR 0.022μF,250V
△ C5004		QCZ9094-472	CAPACITOR 0.0047μF,125V
C5006		QEZ0516-337	E CAPACITOR 330μF,200V
C5102		QEMU1VM-276	E CAPACITOR 27μF,35V
C5103		QCZ0136-471Z	CAPACITOR 470pF,1kV
C5104		QFLC1HJ-471Z	F CAPACITOR 470pF,50V
C5105		NCB21EK-333X	CAPACITOR 0.033μF,25V
C5106		QCZ0212-472	CAPACITOR 0.0047μF,1kV
C5201		QEMU0JM-227	E CAPACITOR 220μF,6.3V
C5202		QEMT1CM-827	E CAPACITOR 820μF,16V
C5203		QETN1CM-227	E CAPACITOR 220μF,16V

#	△	REF No.	PART No.	PART NAME, DESCRIPTION	#	△	REF No.	PART No.	PART NAME, DESCRIPTION			
			C5204	QEMT1AM-228	E				or PDTC114TU	TRANSISTOR		
			C5205	QETN1AM-227	E				or RN1311	TRANSISTOR		
			C5206	QEMU1EM-187	E				or UN5215	TRANSISTOR		
			C5207	QETN2AM-475	E				D5321	FML-12S	FR DIODE	
			C5208	QEMU1HM-186	E					or FCF06A20	FR DIODE	
			C5212	QEMT1AM-278	E					or ER602FCT	FR DIODE	
			C5213	QETN1AM-227	E					or SF5LC20U	FR DIODE	
			C5301	QFLC1HJ-103Z	F					or YG901C2	FR DIODE	
			C5302	QFLC1HJ-473Z	F				D5325	RD5.1JS/B2/-T2	ZENER DIODE	
			C5303	QFLC1HJ-333Z	F					or MA4051N/M/-T2	ZENER DIODE	
			C5304	QETN1EM-476	E				D5326	1SS133	DIODE	
			C5305	QFLC1HJ-103Z	F					or 1SS270A	DIODE	
			L5201	PELN1184	COIL				D5327	RD5.1JS/B2/-T2	ZENER DIODE	
			L5202	PU60944-330K	COIL					or MA4051N/M/-T2	ZENER DIODE	
			L5205	PELN1184	COIL				D5328	1SS133	DIODE	
			K5101	QQR0678-001Z	FERRITE BEAD					or 1SS270A	DIODE	
△		PC5101	PC817X	IC(PHOTO COUPLER)					D5329	1SS133	DIODE	
△		T5001	QQS0092-001	SW TRANSFORMER						or 1SS270A	DIODE	
		HS1	LY41879-001A	HEAT SINK,IC5101					D5331	1SS133	DIODE	
		HS2	LP40515-001B	HEAT SINK,D5203,6						or 1SS270A	DIODE	
		FC5001	QNG0006-001Z	FUSE CLIP,F5001					D5333	1SS133	DIODE	
		FC5002	QNG0006-001Z	FUSE CLIP,F5001						or 1SS270A	DIODE	
		OT1	QYTDST3008Z	SCREW,D5203,6					D5334	11ES2	DIODE	
		OT1	QYTDST3010Z	SCREW,IC5101						or 1A3G	DIODE	
△		LF5002	QQR0908-001	LINE FILTER						or ERA15-02-T2	DIODE	
△		CN5001	QGA7901C3-02	CONNECTOR,(1-2)AC IN					D5335	1SS133	DIODE	
		CN5201	QGF1208C1-19	FPC CONNECTOR,(1-19)REG						or 1SS270A	DIODE	
△		CP5301	ICP-N25	CIRCUIT PROTECTOR					D5337	MTZJ12A	ZENER DIODE	
△		F5001	QMF51N2-2R0J1	FUSE						or RD12ES/B1/-T2	ZENER DIODE	
									R5322	NRSA02J-471X	MG RESISTOR	470Ω,1/10W
									R5323	NRSA02J-471X	MG RESISTOR	470Ω,1/10W
									R5324	NRSA02J-102X	MG RESISTOR	1kΩ,1/10W
									R5325	NRSA02J-103X	MG RESISTOR	10kΩ,1/10W
									R5326	NRSA02J-471X	MG RESISTOR	470Ω,1/10W
									R5327	NRSA02J-471X	MG RESISTOR	470Ω,1/10W
									R5328	NRSA02J-102X	MG RESISTOR	1kΩ,1/10W
									R5329	NRSA02J-103X	MG RESISTOR	10kΩ,1/10W
									R5330	NRSA02J-471X	MG RESISTOR	470Ω,1/10W
									R5331	NRSA02J-473X	MG RESISTOR	47kΩ,1/10W
									R5334	NRVA02D-472X	CMF RESISTOR	4.7kΩ,1/10W
									R5335	NRVA02D-472X	CMF RESISTOR	4.7kΩ,1/10W
									R5336	NRVA02D-472X	CMF RESISTOR	4.7kΩ,1/10W
									R5337	NRVA02D-152X	CMF RESISTOR	1.5kΩ,1/10W
									R5338	NRSA02J-103X	MG RESISTOR	10kΩ,1/10W
									R5339	NRSA02J-102X	MG RESISTOR	1kΩ,1/10W
									R5340	QRL01DJ-101X	OMF RESISTOR	100Ω,1W
									R5341	NRSA02J-561X	MG RESISTOR	560Ω,1/10W
									R5342	NRSA02J-471X	MG RESISTOR	470Ω,1/10W
									R5345	NRSA02J-472X	MG RESISTOR	4.7kΩ,1/10W
									R5346	NRSA02J-222X	MG RESISTOR	2.2kΩ,1/10W
									R5353	NRSA02J-103X	MG RESISTOR	10kΩ,1/10W
									B5301	NRSA02J-0R0X	MG RESISTOR	0Ω,1/10W
									B5302	NRSA02J-0R0X	MG RESISTOR	0Ω,1/10W
									B5303	NRSA02J-0R0X	MG RESISTOR	0Ω,1/10W
									B5304	QUY153-050Y	IM BUS WIRE	
									B5306	QUY153-050Y	IM BUS WIRE	
									C5321	QETN1AM-107	E CAPACITOR	100μF,10V
									C5322	QETN1HM-106	E CAPACITOR	10μF,50V
									C5323	QETN1CM-107	E CAPACITOR	100μF,16V
									C5324	QFLC1HJ-102Z	F CAPACITOR	0.001μF,50V
									C5325	QFLC1HJ-102Z	F CAPACITOR	0.001μF,50V

REGULATOR BOARD ASSEMBLY <02>

PW2	LPA10119-05A2	REG BOARD ASSY
IC5321	PQ15RW11	IC
IC5322	PQ5EV3	IC
Q5321	2SD2528/QP/	TRANSISTOR
Q5322	2SD1819A/RS/-X	TRANSISTOR
	or 2SC4081/RS/-X	TRANSISTOR
	or 2PC4081/R/-X	TRANSISTOR
Q5326	2SD2375/QP/	TRANSISTOR
Q5327	2SD1819A/RS/-X	TRANSISTOR
	or 2SC4081/RS/-X	TRANSISTOR
	or 2PC4081/R/-X	TRANSISTOR
Q5328	2SD1302/ST/-T	TRANSISTOR
	or 2SD1450/ST/-T	TRANSISTOR
Q5329	DTA114EU	TRANSISTOR
	or PDTA114EU	TRANSISTOR
	or UN5111	TRANSISTOR
	or RN2302	TRANSISTOR
Q5330	2SD2144S/UV/-T	TRANSISTOR
Q5331	2SB1068/KU/-T	TRANSISTOR
Q5332	DTC114EU	TRANSISTOR
	or PDTC114EU	TRANSISTOR
	or UN5211	TRANSISTOR
	or RN1302	TRANSISTOR
Q5335	2SB1256	TRANSISTOR
Q5336	DTC114TU	TRANSISTOR

#	△ REF No.	PART No.	PART NAME, DESCRIPTION
C5326		QETN1AM-107	E CAPACITOR 100μF,10V
C5327		NCB21HK-103X	CAPACITOR 0.01μF,50V
C5328		QETN1AM-107	E CAPACITOR 100μF,10V
C5329		NCB21HK-103X	CAPACITOR 0.01μF,50V
C5330		QETN1AM-107	E CAPACITOR 100μF,10V
C5333		QETN1AM-107	E CAPACITOR 100μF,10V
L5321		QLL01BK-101Z	COIL 100μH
HS1		LP40090-001A	HEAT SINK,IC5322
HS2		LP40090-001A	HEAT SINK,Q5321
OT1		QYTDST3006Z	SCREW,IC5322
OT2		QYTDST3006Z	SCREW,Q5321
CN5301		QGF1208C1-19	FPC CONNECTOR,(1-19)SW/REG
CN5321		QGF1208F1-13	FPC CONNECTOR,(1-13)MAIN
CN5322		QGF1208F1-11	FPC CONNECTOR,(1-11)MAIN
CN5323		QGA2001C1-09	CONNECTOR,(1-9)DIGITAL
CN5325		QGA2001F1-02	CONNECTOR,(1-2)FAN MOTOR
CN5326		QGA2501C1-04	CONNECTOR,(1-4)HDD
△ CP5322		ICP-N25	CIRCUIT PROTECTOR

#	△ REF No.	PART No.	PART NAME, DESCRIPTION
		or 2SA1576A/QR/-X	TRANSISTOR
Q7		2SD1819A/QRS/-X	TRANSISTOR
		or 2SC4081/QRS/-X	TRANSISTOR
		or 2PC4081/R/-X	TRANSISTOR
Q8		2SD1819A/QRS/-X	TRANSISTOR
		or 2PC4081/R/-X	TRANSISTOR
		or 2SC4081/QRS/-X	TRANSISTOR
Q9		2SB1218A/QR/-X	TRANSISTOR
		or 2SA1576A/QR/-X	TRANSISTOR
		or 2PA1576/R/-X	TRANSISTOR
Q12		2SA1576A/QR/-X	TRANSISTOR
		or 2PA1576/R/-X	TRANSISTOR
		or 2SB1218A/QR/-X	TRANSISTOR
Q17		DTC144WU	TRANSISTOR
		or PDTC144WU	TRANSISTOR
		or RN1309	TRANSISTOR
		or UN521E	TRANSISTOR
Q21		2SB1218A/QR/-X	TRANSISTOR
		or 2PA1576/R/-X	TRANSISTOR
		or 2SA1576A/QR/-X	TRANSISTOR
Q24		2SA1576A/QR/-X	TRANSISTOR
		or 2SB1218A/QR/-X	TRANSISTOR
		or 2PA1576/R/-X	TRANSISTOR
Q38		2SD1819A/QRS/-X	TRANSISTOR
		or 2PC4081/R/-X	TRANSISTOR
		or 2SC4081/QRS/-X	TRANSISTOR
Q401		2SA1576A/QR/-X	TRANSISTOR
Q402		2SA1576A/QR/-X	TRANSISTOR
Q403		DTC144WU	TRANSISTOR
		or PDTC144WU	TRANSISTOR
		or RN1309	TRANSISTOR
		or UN521E	TRANSISTOR
Q404		DTC144WU	TRANSISTOR
		or PDTC144WU	TRANSISTOR
		or RN1309	TRANSISTOR
		or UN521E	TRANSISTOR
Q405		2SA1576A/QR/-X	TRANSISTOR
Q703		2SC4081/QRS/-X	TRANSISTOR
		or 2SD1819A/QRS/-X	TRANSISTOR
		or 2PC4081/R/-X	TRANSISTOR
Q705		2SA1576A/QR/-X	TRANSISTOR
		or 2SB1218A/QR/-X	TRANSISTOR
		or 2PA1576/R/-X	TRANSISTOR
Q706		2SC4081/QRS/-X	TRANSISTOR
		or 2PC4081/R/-X	TRANSISTOR
		or 2SD1819A/QRS/-X	TRANSISTOR
Q708		2SA1576A/QR/-X	TRANSISTOR
		or 2PA1576/R/-X	TRANSISTOR
		or 2SB1218A/QR/-X	TRANSISTOR
Q709		2SA1576A/QR/-X	TRANSISTOR
		or 2SB1218A/QR/-X	TRANSISTOR
		or 2PA1576/R/-X	TRANSISTOR
Q710		2SA1576A/QR/-X	TRANSISTOR
		or 2PA1576/R/-X	TRANSISTOR
		or 2SB1218A/QR/-X	TRANSISTOR
Q711		2SA1576A/QR/-X	TRANSISTOR
		or 2SB1218A/QR/-X	TRANSISTOR
		or 2PA1576/R/-X	TRANSISTOR
Q712		2SC4081/QRS/-X	TRANSISTOR
		or 2PC4081/R/-X	TRANSISTOR
		or 2SD1819A/QRS/-X	TRANSISTOR

MAIN BOARD ASSEMBLY <03>

PW1	LPA10113-07A	MAIN BOARD ASSY
IC1	JCP8022-NSD-2	IC
IC702	MM1113XF	IC
IC703	MM1117XF	IC
IC705	MM1117XF	IC
IC706	PQ05TZ1U	IC
IC707	AN3916	IC
IC711	MM1117XF	IC
IC712	MM1113XF	IC
IC2601	BU4052BCF	IC
IC2602	BA15218F-XE	IC
IC2603	BU4052BCF	IC
IC2605	BA15218F-XE	IC
IC2606	BU4052BCF	IC
IC2607	BU4052BCF	IC
IC2608	BA15218F-XE	IC
IC2610	BU4053BCF	IC
IC3001	HD6432194B11F	IC(MCU)
IC3002	S-80727AN-DQ-X	IC
	or S-80827ANUP-W	IC
IC3003	AT24C08-10PC	IC
	or BR24C08	IC
	or M24C08-BN6	IC
	or S-24C08ADP	IC
	or 24LC08B/P	IC
IC3004	BA6956AN	IC
IC3006	TC7S04F	IC(DIGITAL)
IC3601	BU2090FS	IC
IC3651	BU2090FS	IC
Q1	2SC4081/S/-X	TRANSISTOR
Q2	2SC4081/S/-X	TRANSISTOR
Q3	2SC4081/S/-X	TRANSISTOR
Q4	2SC4081/S/-X	TRANSISTOR
Q5	2SB1218A/QR/-X	TRANSISTOR
	or 2PA1576/R/-X	TRANSISTOR

#	△	REF No.	PART No.	PART NAME, DESCRIPTION	#	△	REF No.	PART No.	PART NAME, DESCRIPTION
Q725			2SA1576A/QR/-X	TRANSISTOR				or PDTC144WU	TRANSISTOR
			or 2SB1218A/QR/-X	TRANSISTOR				or RN1309	TRANSISTOR
			or 2PA1576/R/-X	TRANSISTOR				or UN521E	TRANSISTOR
Q2001			2SC4081/QRS/-X	TRANSISTOR	Q3011		2SC4081/QRS/-X	TRANSISTOR	
			or 2SD1819A/QRS/-X	TRANSISTOR			or 2SD1819A/QRS/-X	TRANSISTOR	
			or 2PC4081/R/-X	TRANSISTOR			or 2PC4081/R/-X	TRANSISTOR	
Q2002			2SC4081/QRS/-X	TRANSISTOR	Q3302		DTC144WU	TRANSISTOR	
			or 2PC4081/R/-X	TRANSISTOR			or PDTC144WU	TRANSISTOR	
			or 2SD1819A/QRS/-X	TRANSISTOR			or RN1309	TRANSISTOR	
Q2003			DTA144WU	TRANSISTOR			or UN521E	TRANSISTOR	
			or RN2309	TRANSISTOR	Q4001		UN5211	TRANSISTOR	
			or UN511E	TRANSISTOR			or DTC114EU	TRANSISTOR	
			or PDTA144WU	TRANSISTOR			or RN1302	TRANSISTOR	
Q2004			DTC144WU	TRANSISTOR	Q6040		2SC4081/RS/-X	TRANSISTOR	
			or RN1309	TRANSISTOR	Q6041		2SA1576A/QR/-X	TRANSISTOR	
			or UN521E	TRANSISTOR			or 2PA1576/R/-X	TRANSISTOR	
			or PDTC144WU	TRANSISTOR	Q6042		DTC144EU	TRANSISTOR	
Q2051			2SC4081/QRS/-X	TRANSISTOR	Q6501		DTC143TU	TRANSISTOR	
Q2052			2SA1576A/QR/-X	TRANSISTOR	Q6502		DTC143TU	TRANSISTOR	
			or 2SB1218A/QR/-X	TRANSISTOR	Q6551		2SC1740S/QRS/-T	TRANSISTOR	
			or 2PA1576/R/-X	TRANSISTOR			or KTC3199/YG/-T	TRANSISTOR	
Q2053			DTC144WU	TRANSISTOR			or 2SC3199/YG/-T	TRANSISTOR	
			or PDTC144WU	TRANSISTOR	Q7501		2SC1317/RS/-T	TRANSISTOR	
			or RN1309	TRANSISTOR	Q7503		DTC144WU	TRANSISTOR	
			or UN521E	TRANSISTOR	D706		1SS355	DIODE	
Q2054			2SA1576A/QR/-X	TRANSISTOR	D2001		1SS355	DIODE	
			or 2PA1576/R/-X	TRANSISTOR	D2121		MTZJ8.2C	ZENER DIODE	
			or 2SB1218A/QR/-X	TRANSISTOR	D2201		11ES2	DIODE	
Q2061			2SC4081/QRS/-X	TRANSISTOR			or 1A3G	DIODE	
			or 2SD1819A/QRS/-X	TRANSISTOR	D3001		LNB2301L01VI	LE DIODE	
			or 2PC4081/R/-X	TRANSISTOR	D3002		1SS133	DIODE	
Q2062			2SA1576A/QR/-X	TRANSISTOR	D3003		RD33ES/B2/-T2	ZENER DIODE	
			or 2PA1576/R/-X	TRANSISTOR			or MTZJ33C	ZENER DIODE	
			or 2SB1218A/QR/-X	TRANSISTOR	D3004		11ES2	DIODE	
Q2251			DTA144WU	TRANSISTOR			or 1A3G	DIODE	
			or RN2309	TRANSISTOR	D3005		11ES2	DIODE	
			or UN511E	TRANSISTOR			or 1A3G	DIODE	
			or PDTA144WU	TRANSISTOR	D3007		NRSA02J-0R0X	MG RESISTOR	0Ω,1/10W
Q2252			DTC114EU	TRANSISTOR	D4001		1SS355	DIODE	
			or RN1302	TRANSISTOR	D4002		1SS355	DIODE	
			or UN5211	TRANSISTOR	D6002		HZ30-2L-T2	ZENER DIODE	
			or PDTC114EU	TRANSISTOR	D6040		DA204U	DIODE	
Q2601			2SC4081/QRS/-X	TRANSISTOR	D6551		MTZJ10B	ZENER DIODE	
Q2602			2SC4081/QRS/-X	TRANSISTOR	R1		NRVA02D-622X	CMF RESISTOR	6.2kΩ,1/10W
Q3001			2SD1819A/QRS/-X	TRANSISTOR	R2		NRVA02D-152X	CMF RESISTOR	1.5kΩ,1/10W
			or 2SC4081/QRS/-X	TRANSISTOR	R3		NRSA02J-182X	MG RESISTOR	1.8kΩ,1/10W
			or 2PC4081/R/-X	TRANSISTOR	R5		NRSA02J-0R0X	MG RESISTOR	0Ω,1/10W
Q3002			PTZ-NV16A	PHOTO TRANSISTOR	R6		NRSA02J-103X	MG RESISTOR	10kΩ,1/10W
Q3003			PTZ-NV16A	PHOTO TRANSISTOR	R7		NRSA02J-102X	MG RESISTOR	1kΩ,1/10W
Q3004			2SD1819A/QRS/-X	TRANSISTOR	R8		NRSA02J-0R0X	MG RESISTOR	0Ω,1/10W
			or 2PC4081/R/-X	TRANSISTOR	R9		NRSA02J-0R0X	MG RESISTOR	0Ω,1/10W
			or 2SC4081/QRS/-X	TRANSISTOR	R21		NRSA02J-222X	MG RESISTOR	2.2kΩ,1/10W
Q3005			2SD1819A/QRS/-X	TRANSISTOR	R22		NRSA02J-222X	MG RESISTOR	2.2kΩ,1/10W
			or 2SC4081/QRS/-X	TRANSISTOR	R23		NRSA02J-102X	MG RESISTOR	1kΩ,1/10W
			or 2PC4081/R/-X	TRANSISTOR	R25		NRSA02J-103X	MG RESISTOR	10kΩ,1/10W
Q3009			DTC144WU	TRANSISTOR	R26		NRSA02J-822X	MG RESISTOR	8.2kΩ,1/10W
			or PDTC144WU	TRANSISTOR	R27		NRSA02J-102X	MG RESISTOR	1kΩ,1/10W
			or UN521E	TRANSISTOR	R28		NRSA02J-102X	MG RESISTOR	1kΩ,1/10W
			or RN1309	TRANSISTOR	R29		NRSA02J-222X	MG RESISTOR	2.2kΩ,1/10W
Q3010			DTC144WU	TRANSISTOR	R30		NRSA02J-0R0X	MG RESISTOR	0Ω,1/10W

#	△ REF No.	PART No.	PART NAME, DESCRIPTION	#	△ REF No.	PART No.	PART NAME, DESCRIPTION
R31		NRSA02J-122X	MG RESISTOR 1.2kΩ,1/10W	R2004		NRSA02J-332X	MG RESISTOR 3.3kΩ,1/10W
R32		NRSA02J-102X	MG RESISTOR 1kΩ,1/10W	R2005		NRSA02J-103X	MG RESISTOR 10kΩ,1/10W
R34		NRSA02J-223X	MG RESISTOR 22kΩ,1/10W	R2006		NRSA02J-393X	MG RESISTOR 39kΩ,1/10W
R36		NRSA02J-182X	MG RESISTOR 1.8kΩ,1/10W	R2007		NRSA02J-393X	MG RESISTOR 39kΩ,1/10W
R39		NRSA02J-0R0X	MG RESISTOR 0Ω,1/10W	R2009		NRSA02J-123X	MG RESISTOR 12kΩ,1/10W
R42		NRSA02J-681X	MG RESISTOR 680Ω,1/10W	R2010		NRSA02J-123X	MG RESISTOR 12kΩ,1/10W
R44		NRSA02J-473X	MG RESISTOR 47kΩ,1/10W	R2011		NRSA02J-103X	MG RESISTOR 10kΩ,1/10W
R45		NRSA02J-153X	MG RESISTOR 15kΩ,1/10W	R2012		NRSA02J-153X	MG RESISTOR 15kΩ,1/10W
R46		NRSA02J-331X	MG RESISTOR 330Ω,1/10W	R2013		NRSA02J-682X	MG RESISTOR 6.8kΩ,1/10W
R48		NRSA02J-102X	MG RESISTOR 1kΩ,1/10W	R2014		NRSA02J-224X	MG RESISTOR 220kΩ,1/10W
R51		NRSA02J-222X	MG RESISTOR 2.2kΩ,1/10W	R2015		NRSA02J-181X	MG RESISTOR 180Ω,1/10W
R68		NRSA02J-222X	MG RESISTOR 2.2kΩ,1/10W	R2016		NRSA02J-473X	MG RESISTOR 47kΩ,1/10W
R70		NRSA02J-0R0X	MG RESISTOR 0Ω,1/10W	R2017		NRSA02J-123X	MG RESISTOR 12kΩ,1/10W
R77		NRSA02J-223X	MG RESISTOR 22kΩ,1/10W	R2018		NRSA02J-472X	MG RESISTOR 4.7kΩ,1/10W
R88		NRSA02J-272X	MG RESISTOR 2.7kΩ,1/10W	R2019		NRSA02J-472X	MG RESISTOR 4.7kΩ,1/10W
R90		NRSA02J-471X	MG RESISTOR 470Ω,1/10W	R2020		NRSA02J-102X	MG RESISTOR 1kΩ,1/10W
R92		NRSA02J-152X	MG RESISTOR 1.5kΩ,1/10W	R2024		QRE141J-472	RESISTOR 4.7kΩ,1/4W
R93		NRSA02J-102X	MG RESISTOR 1kΩ,1/10W	R2053		NRSA02J-332X	MG RESISTOR 3.3kΩ,1/10W
R104		NRSA02J-682X	MG RESISTOR 6.8kΩ,1/10W	R2054		NRSA02J-153X	MG RESISTOR 15kΩ,1/10W
R113		NRSA02J-101X	MG RESISTOR 100Ω,1/10W	R2055		NRSA02J-3R3X	MG RESISTOR 3.3Ω,1/10W
R401		NRSA02J-221X	MG RESISTOR 220Ω,1/10W	R2056		NRSA02J-101X	MG RESISTOR 100Ω,1/10W
R402		NRSA02J-102X	MG RESISTOR 1kΩ,1/10W	R2057		NRSA02J-473X	MG RESISTOR 47kΩ,1/10W
R403		NRSA02J-391X	MG RESISTOR 390Ω,1/10W	R2058		NRSA02J-183X	MG RESISTOR 18kΩ,1/10W
R404		NRSA02J-473X	MG RESISTOR 47kΩ,1/10W	R2059		NRSA02J-473X	MG RESISTOR 47kΩ,1/10W
R405		NRSA02J-683X	MG RESISTOR 68kΩ,1/10W	R2060		NRSA02J-183X	MG RESISTOR 18kΩ,1/10W
R407		NRSA02J-472X	MG RESISTOR 4.7kΩ,1/10W	R2061		NRSA02J-273X	MG RESISTOR 27kΩ,1/10W
R408		NRSA02J-473X	MG RESISTOR 47kΩ,1/10W	R2062		NRSA02J-3R3X	MG RESISTOR 3.3Ω,1/10W
R409		NRSA02J-103X	MG RESISTOR 10kΩ,1/10W	R2063		NRSA02J-151X	MG RESISTOR 150Ω,1/10W
R704		NRSA02J-333X	MG RESISTOR 33kΩ,1/10W	R2064		NRSA02J-473X	MG RESISTOR 47kΩ,1/10W
R705		NRSA02J-223X	MG RESISTOR 22kΩ,1/10W	R2065		NRSA02J-183X	MG RESISTOR 18kΩ,1/10W
R706		NRSA02J-0R0X	MG RESISTOR 0Ω,1/10W	R2121		QRE141J-151Y	RESISTOR 150Ω,1/4W
R707		NRSA02J-102X	MG RESISTOR 1kΩ,1/10W	R2206		NRSA02J-101X	MG RESISTOR 100Ω,1/10W
R710		NRSA02J-561X	MG RESISTOR 560Ω,1/10W	R2207		NRSA02J-332X	MG RESISTOR 3.3kΩ,1/10W
R711		NRSA02J-820X	MG RESISTOR 82Ω,1/10W	R2213		NRSA02J-393X	MG RESISTOR 39kΩ,1/10W
R712		NRSA02J-682X	MG RESISTOR 6.8kΩ,1/10W	R2215		NRSA02J-153X	MG RESISTOR 15kΩ,1/10W
R713		NRSA02J-392X	MG RESISTOR 3.9kΩ,1/10W	R2217		NRSA02J-103X	MG RESISTOR 10kΩ,1/10W
R714		NRSA02J-152X	MG RESISTOR 1.5kΩ,1/10W	R2218		NRSA02J-393X	MG RESISTOR 39kΩ,1/10W
R716		NRSA02J-152X	MG RESISTOR 1.5kΩ,1/10W	R2219		NRSA02J-393X	MG RESISTOR 39kΩ,1/10W
R717		NRSA02J-0R0X	MG RESISTOR 0Ω,1/10W	R2220		NRSA02J-393X	MG RESISTOR 39kΩ,1/10W
R718		NRSA02J-0R0X	MG RESISTOR 0Ω,1/10W	R2223		NRSA02J-123X	MG RESISTOR 12kΩ,1/10W
R719		NRSA02J-751X	MG RESISTOR 750Ω,1/10W	R2224		NRSA02J-123X	MG RESISTOR 12kΩ,1/10W
R720		NRSA02J-222X	MG RESISTOR 2.2kΩ,1/10W	R2225		NRSA02J-153X	MG RESISTOR 15kΩ,1/10W
R721		NRSA02J-222X	MG RESISTOR 2.2kΩ,1/10W	R2228		NRSA02J-0R0X	MG RESISTOR 0Ω,1/10W
R722		NRVA02D-471X	CMF RESISTOR 470Ω,1/10W	R2251		NRSA02J-102X	MG RESISTOR 1kΩ,1/10W
R723		NRVA02D-471X	CMF RESISTOR 470Ω,1/10W	R2252		NRSA02J-472X	MG RESISTOR 4.7kΩ,1/10W
R724		NRSA02J-102X	MG RESISTOR 1kΩ,1/10W	R2601		NRSA02J-102X	MG RESISTOR 1kΩ,1/10W
R725		NRSA02J-105X	MG RESISTOR 1MΩ,1/10W	R2602		NRSA02J-102X	MG RESISTOR 1kΩ,1/10W
R726		NCB21HK-103X	CAPACITOR 0.01μF,50V	R2603		NRSA02J-102X	MG RESISTOR 1kΩ,1/10W
R727		NRSA02J-105X	MG RESISTOR 1MΩ,1/10W	R2604		NRSA02J-102X	MG RESISTOR 1kΩ,1/10W
R767		NRSA02J-0R0X	MG RESISTOR 0Ω,1/10W	R2605		NRSA02J-103X	MG RESISTOR 10kΩ,1/10W
R768		NRSA02J-0R0X	MG RESISTOR 0Ω,1/10W	R2606		NRSA02J-102X	MG RESISTOR 1kΩ,1/10W
R769		NRSA02J-122X	MG RESISTOR 1.2kΩ,1/10W	R2607		NRSA02J-102X	MG RESISTOR 1kΩ,1/10W
R770		NRSA02J-471X	MG RESISTOR 470Ω,1/10W	R2608		NRSA02J-102X	MG RESISTOR 1kΩ,1/10W
R771		NRSA02J-471X	MG RESISTOR 470Ω,1/10W	R2609		NRSA02J-102X	MG RESISTOR 1kΩ,1/10W
R772		NRSA02J-102X	MG RESISTOR 1kΩ,1/10W	R2610		NRSA02J-102X	MG RESISTOR 1kΩ,1/10W
R773		NRSA02J-223X	MG RESISTOR 22kΩ,1/10W	R2611		NRSA02J-102X	MG RESISTOR 1kΩ,1/10W
R774		NRSA02J-274X	MG RESISTOR 270kΩ,1/10W	R2613		NRSA02J-102X	MG RESISTOR 1kΩ,1/10W
R775		NRSA02J-183X	MG RESISTOR 18kΩ,1/10W	R2614		NRSA02J-103X	MG RESISTOR 10kΩ,1/10W
R777		NRSA02J-0R0X	MG RESISTOR 0Ω,1/10W	R2616		NRSA02J-102X	MG RESISTOR 1kΩ,1/10W
VR701		QVP0039-333Z	TRIM RESISTOR,DV AGC	R2617		NRSA02J-102X	MG RESISTOR 1kΩ,1/10W
R2003		NRSA02J-101X	MG RESISTOR 100Ω,1/10W	R2618		NRSA02J-102X	MG RESISTOR 1kΩ,1/10W

#	△	REF No.	PART No.	PART NAME, DESCRIPTION	#	△	REF No.	PART No.	PART NAME, DESCRIPTION
R2623			NRSA02J-223X	MG RESISTOR	R3049			NRSA02J-0R0X	MG RESISTOR
R2624			NRSA02J-562X	MG RESISTOR	R3050			NRSA02J-0R0X	MG RESISTOR
R2625			NRSA02J-562X	MG RESISTOR	R3051			NRSA02J-471X	MG RESISTOR
R2626			NRSA02J-223X	MG RESISTOR	R3052			NRSA02J-471X	MG RESISTOR
R2627			NRSA02J-102X	MG RESISTOR	R3053			NRSA02J-471X	MG RESISTOR
R2629			NRSA02J-102X	MG RESISTOR	R3054			NRSA02J-0R0X	MG RESISTOR
R2630			NRSA02J-102X	MG RESISTOR	R3055			NRSA02J-0R0X	MG RESISTOR
R2631			NRSA02J-103X	MG RESISTOR	R3056			NRSA02J-102X	MG RESISTOR
R2632			NRSA02J-102X	MG RESISTOR	R3057			NRSA02J-102X	MG RESISTOR
R2633			NRSA02J-102X	MG RESISTOR	R3058			NRSA02J-102X	MG RESISTOR
R2634			NRSA02J-102X	MG RESISTOR	R3059			NRSA02J-471X	MG RESISTOR
R2636			NRSA02J-103X	MG RESISTOR	R3060			NRSA02J-471X	MG RESISTOR
R2637			NRSA02J-105X	MG RESISTOR	R3061			NRSA02J-471X	MG RESISTOR
R2638			NRSA02J-105X	MG RESISTOR	R3062			NRSA02J-103X	MG RESISTOR
R2651			NRSA02J-102X	MG RESISTOR	R3063			NRSA02J-472X	MG RESISTOR
R2654			NRSA02J-102X	MG RESISTOR	R3066			NRSA02J-472X	MG RESISTOR
R2655			NRSA02J-103X	MG RESISTOR	R3069			NRSA02J-101X	MG RESISTOR
R2657			NRSA02J-102X	MG RESISTOR	R3071			NRSA02J-103X	MG RESISTOR
R2658			NRSA02J-102X	MG RESISTOR	R3072			NRSA02J-0R0X	MG RESISTOR
R2660			NRSA02J-221X	MG RESISTOR	R3073			NRSA02J-0R0X	MG RESISTOR
R2661			NRSA02J-103X	MG RESISTOR	R3075			NRSA02J-471X	MG RESISTOR
R2662			NRSA02J-221X	MG RESISTOR	R3076			NRSA02J-471X	MG RESISTOR
R2663			NRSA02J-103X	MG RESISTOR	R3078			NRSA02J-102X	MG RESISTOR
R2664			NRSA02J-221X	MG RESISTOR	R3079			NRSA02J-102X	MG RESISTOR
R2665			NRSA02J-103X	MG RESISTOR	R3083			NRSA02J-0R0X	MG RESISTOR
R2666			NRSA02J-221X	MG RESISTOR	R3085			NRSA02J-0R0X	MG RESISTOR
R2667			NRSA02J-103X	MG RESISTOR	R3086			NRSA02J-0R0X	MG RESISTOR
R2668			NRSA02J-103X	MG RESISTOR	R3087			NRSA02J-0R0X	MG RESISTOR
R2681			NRSA02J-221X	MG RESISTOR	R3088			NRSA02J-0R0X	MG RESISTOR
R2682			NRSA02J-103X	MG RESISTOR	R3089			NRSA02J-0R0X	MG RESISTOR
R2683			NRSA02J-222X	MG RESISTOR	R3091			NRSA02J-102X	MG RESISTOR
R2684			NRSA02J-103X	MG RESISTOR	R3094			NRSA02J-0R0X	MG RESISTOR
R2685			NRSA02J-222X	MG RESISTOR	R3095			NRSA02J-0R0X	MG RESISTOR
R2686			NRSA02J-103X	MG RESISTOR	R3096			NRSA02J-0R0X	MG RESISTOR
R2687			NRSA02J-221X	MG RESISTOR	R3097			NRSA02J-0R0X	MG RESISTOR
R2688			NRSA02J-221X	MG RESISTOR	R3103			NRSA02J-102X	MG RESISTOR
R2689			NRSA02J-0R0X	MG RESISTOR	R3104			NRSA02J-102X	MG RESISTOR
R2691			NRSA02J-221X	MG RESISTOR	R3105			NRSA02J-0R0X	MG RESISTOR
R2692			NRSA02J-121X	MG RESISTOR	R3106			NRSA02J-102X	MG RESISTOR
R3011			NRSA02J-0R0X	MG RESISTOR	R3107			NRSA02J-682X	MG RESISTOR
R3012			NRSA02J-0R0X	MG RESISTOR	R3201			NRSA02J-103X	MG RESISTOR
R3013			NRSA02J-0R0X	MG RESISTOR	R3202			NRSA02J-472X	MG RESISTOR
R3016			NRSA02J-0R0X	MG RESISTOR	R3203			NRSA02J-103X	MG RESISTOR
R3018			NRSA02J-472X	MG RESISTOR	R3204			NRSA02J-222X	MG RESISTOR
R3021			NRSA02J-0R0X	MG RESISTOR	R3205			QRE141J-181Y	RESISTOR
R3022			NRSA02J-0R0X	MG RESISTOR	R3206			NRSA02J-183X	MG RESISTOR
R3025			NRSA02J-0R0X	MG RESISTOR	R3207			NRSA02J-183X	MG RESISTOR
R3026			NRSA02J-0R0X	MG RESISTOR	R3208			NRSA02J-181X	MG RESISTOR
R3027			NRSA02J-0R0X	MG RESISTOR	R3209			NRSA02J-273X	MG RESISTOR
R3029			NRSA02J-472X	MG RESISTOR	R3210			NRSA02J-181X	MG RESISTOR
R3030			NRSA02J-472X	MG RESISTOR	R3211			NRSA02J-273X	MG RESISTOR
R3033			NRSA02J-102X	MG RESISTOR	R3212			NRSA02J-474X	MG RESISTOR
R3034			NRSA02J-472X	MG RESISTOR	R3213			NRSA02J-334X	MG RESISTOR
R3038			NRSA02J-152X	MG RESISTOR	R3214			NRSA02J-103X	MG RESISTOR
R3040			NRSA02J-0R0X	MG RESISTOR	R3215			NRSA02J-103X	MG RESISTOR
R3041			NRSA02J-0R0X	MG RESISTOR	R3216			NRSA02J-103X	MG RESISTOR
R3042			NRSA02J-0R0X	MG RESISTOR	R3217			NRSA02J-562X	MG RESISTOR
R3044			NRSA02J-0R0X	MG RESISTOR	R3218			QRE141J-472Y	RESISTOR
R3046			NRSA02J-102X	MG RESISTOR	R3219			NRSA02J-472X	MG RESISTOR
R3047			NRSA02J-102X	MG RESISTOR	R3220			NRSA02J-104X	MG RESISTOR
R3048			NRSA02J-221X	MG RESISTOR	R3222			NRSA02J-472X	MG RESISTOR
				22kΩ, 1/10W					0Ω, 1/10W
				5.6kΩ, 1/10W					0Ω, 1/10W
				5.6kΩ, 1/10W					470Ω, 1/10W
				22kΩ, 1/10W					470Ω, 1/10W
				1kΩ, 1/10W					470Ω, 1/10W
				1kΩ, 1/10W					0Ω, 1/10W
				1kΩ, 1/10W					0Ω, 1/10W
				10kΩ, 1/10W					1kΩ, 1/10W
				1kΩ, 1/10W					1kΩ, 1/10W
				1kΩ, 1/10W					1kΩ, 1/10W
				1kΩ, 1/10W					470Ω, 1/10W
				10kΩ, 1/10W					470Ω, 1/10W
				1MΩ, 1/10W					470Ω, 1/10W
				1MΩ, 1/10W					10kΩ, 1/10W
				1kΩ, 1/10W					4.7kΩ, 1/10W
				1kΩ, 1/10W					4.7kΩ, 1/10W
				10kΩ, 1/10W					100Ω, 1/10W
				1kΩ, 1/10W					10kΩ, 1/10W
				1kΩ, 1/10W					0Ω, 1/10W
				220Ω, 1/10W					0Ω, 1/10W
				10kΩ, 1/10W					470Ω, 1/10W
				220Ω, 1/10W					470Ω, 1/10W
				10kΩ, 1/10W					1kΩ, 1/10W
				220Ω, 1/10W					1kΩ, 1/10W
				10kΩ, 1/10W					0Ω, 1/10W
				10kΩ, 1/10W					0Ω, 1/10W
				10kΩ, 1/10W					0Ω, 1/10W
				220Ω, 1/10W					0Ω, 1/10W
				10kΩ, 1/10W					0Ω, 1/10W
				220Ω, 1/10W					0Ω, 1/10W
				10kΩ, 1/10W					1kΩ, 1/10W
				220Ω, 1/10W					1kΩ, 1/10W
				0Ω, 1/10W					0Ω, 1/10W
				220Ω, 1/10W					0Ω, 1/10W
				120Ω, 1/10W					0Ω, 1/10W
				0Ω, 1/10W					1kΩ, 1/10W
				0Ω, 1/10W					1kΩ, 1/10W
				0Ω, 1/10W					0Ω, 1/10W
				4.7kΩ, 1/10W					0Ω, 1/10W
				0Ω, 1/10W					0Ω, 1/10W
				0Ω, 1/10W					180Ω, 1/10W
				0Ω, 1/10W					180Ω, 1/10W
				0Ω, 1/10W					180Ω, 1/10W
				0Ω, 1/10W					27kΩ, 1/10W
				4.7kΩ, 1/10W					27kΩ, 1/10W
				4.7kΩ, 1/10W					180Ω, 1/10W
				1kΩ, 1/10W					27kΩ, 1/10W
				4.7kΩ, 1/10W					470kΩ, 1/10W
				4.7kΩ, 1/10W					330kΩ, 1/10W
				1.5kΩ, 1/10W					10kΩ, 1/10W
				0Ω, 1/10W					10kΩ, 1/10W
				0Ω, 1/10W					10kΩ, 1/10W
				0Ω, 1/10W					10kΩ, 1/10W
				0Ω, 1/10W					5.6kΩ, 1/10W
				0Ω, 1/10W					4.7kΩ, 1/4W
				1kΩ, 1/10W					4.7kΩ, 1/10W
				1kΩ, 1/10W					100kΩ, 1/10W
				220Ω, 1/10W					4.7kΩ, 1/10W

#	△ REF No.	PART No.	PART NAME, DESCRIPTION	#	△ REF No.	PART No.	PART NAME, DESCRIPTION
R3223		NRSA02J-472X	MG RESISTOR 4.7kΩ,1/10W	R6045		NRSA02J-471X	MG RESISTOR 470Ω,1/10W
R3224		NRSA02J-472X	MG RESISTOR 4.7kΩ,1/10W	R6046		NRSA02J-103X	MG RESISTOR 10kΩ,1/10W
R3225		NRSA02J-103X	MG RESISTOR 10kΩ,1/10W	R6508		NRSA02J-0R0X	MG RESISTOR 0Ω,1/10W
R3229		NRSA02J-105X	MG RESISTOR 1MΩ,1/10W	R6510		NRSA02J-0R0X	MG RESISTOR 0Ω,1/10W
R3230		NRSA02J-472X	MG RESISTOR 4.7kΩ,1/10W	R6551		NRSA02J-271X	MG RESISTOR 270Ω,1/10W
R3231		NRSA02J-102X	MG RESISTOR 1kΩ,1/10W	R6552		NRSA02J-101X	MG RESISTOR 100Ω,1/10W
R3233		NRSA02J-103X	MG RESISTOR 10kΩ,1/10W	R6553		NRSA02J-0R0X	MG RESISTOR 0Ω,1/10W
R3235		NRSA02J-102X	MG RESISTOR 1kΩ,1/10W	R6554		NRSA02J-0R0X	MG RESISTOR 0Ω,1/10W
R3236		NRSA02J-102X	MG RESISTOR 1kΩ,1/10W	R7505		NRSA02J-221X	MG RESISTOR 220Ω,1/10W
R3238		NRSA02J-103X	MG RESISTOR 10kΩ,1/10W	R7506		NRSA02J-472X	MG RESISTOR 4.7kΩ,1/10W
R3239		NRSA02J-103X	MG RESISTOR 10kΩ,1/10W	R7507		QRE121J-100Y	RESISTOR 10Ω,1/2W
R3241		NRSA02J-104X	MG RESISTOR 100kΩ,1/10W	R7512		NRSA02J-562X	MG RESISTOR 5.6kΩ,1/10W
R3245		NRSA02J-472X	MG RESISTOR 4.7kΩ,1/10W	B3		NRSA02J-0R0X	MG RESISTOR 0Ω,1/10W
R3247		NRSA02J-472X	MG RESISTOR 4.7kΩ,1/10W	B8		NRSA02J-0R0X	MG RESISTOR 0Ω,1/10W
R3251		NRSA02J-103X	MG RESISTOR 10kΩ,1/10W	B18		NRSA02J-0R0X	MG RESISTOR 0Ω,1/10W
R3252		NRSA02J-472X	MG RESISTOR 4.7kΩ,1/10W	B37		NRSA02J-0R0X	MG RESISTOR 0Ω,1/10W
R3258		NRSA02J-472X	MG RESISTOR 4.7kΩ,1/10W	B38		NRSA02J-0R0X	MG RESISTOR 0Ω,1/10W
R3381		NRSA02J-0R0X	MG RESISTOR 0Ω,1/10W	B42		NRSA02J-0R0X	MG RESISTOR 0Ω,1/10W
R3601		NRSA02J-222X	MG RESISTOR 2.2kΩ,1/10W	B49		NRSA02J-0R0X	MG RESISTOR 0Ω,1/10W
R3602		NRSA02J-222X	MG RESISTOR 2.2kΩ,1/10W	B701		NRSA02J-0R0X	MG RESISTOR 0Ω,1/10W
R3603		NRSA02J-222X	MG RESISTOR 2.2kΩ,1/10W	B710		NRSA02J-0R0X	MG RESISTOR 0Ω,1/10W
R3604		NRSA02J-222X	MG RESISTOR 2.2kΩ,1/10W	B714		NRSA02J-0R0X	MG RESISTOR 0Ω,1/10W
R3605		NRSA02J-222X	MG RESISTOR 2.2kΩ,1/10W	B717		NRSA02J-0R0X	MG RESISTOR 0Ω,1/10W
R3606		NRSA02J-222X	MG RESISTOR 2.2kΩ,1/10W	B722		NRSA02J-0R0X	MG RESISTOR 0Ω,1/10W
R3607		NRSA02J-222X	MG RESISTOR 2.2kΩ,1/10W	B723		NRSA02J-0R0X	MG RESISTOR 0Ω,1/10W
R3608		NRSA02J-222X	MG RESISTOR 2.2kΩ,1/10W	B726		NRSA02J-0R0X	MG RESISTOR 0Ω,1/10W
R3609		NRSA02J-222X	MG RESISTOR 2.2kΩ,1/10W	B729		NRSA02J-0R0X	MG RESISTOR 0Ω,1/10W
R3610		NRSA02J-222X	MG RESISTOR 2.2kΩ,1/10W	B730		NRSA02J-0R0X	MG RESISTOR 0Ω,1/10W
R3611		NRSA02J-222X	MG RESISTOR 2.2kΩ,1/10W	B734		NRSA02J-0R0X	MG RESISTOR 0Ω,1/10W
R3613		NRSA02J-103X	MG RESISTOR 10kΩ,1/10W	B737		NRSA02J-0R0X	MG RESISTOR 0Ω,1/10W
R3616		NRSA02J-0R0X	MG RESISTOR 0Ω,1/10W	B740		NRSA02J-0R0X	MG RESISTOR 0Ω,1/10W
R3618		NRSA02J-102X	MG RESISTOR 1kΩ,1/10W	B2011		NRSA02J-0R0X	MG RESISTOR 0Ω,1/10W
R4001		NRSA02J-472X	MG RESISTOR 4.7kΩ,1/10W	B2601		NRSA02J-0R0X	MG RESISTOR 0Ω,1/10W
R4003		NRSA02J-561X	MG RESISTOR 560Ω,1/10W	B2602		NRSA02J-0R0X	MG RESISTOR 0Ω,1/10W
R4004		NRSA02J-561X	MG RESISTOR 560Ω,1/10W	B2607		NRSA02J-0R0X	MG RESISTOR 0Ω,1/10W
R4005		NRSA02J-562X	MG RESISTOR 5.6kΩ,1/10W	B2608		NRSA02J-0R0X	MG RESISTOR 0Ω,1/10W
R4007		NRSA02J-102X	MG RESISTOR 1kΩ,1/10W	B3011		NQR0227-003X	FERRITE CORE
R4008		NRSA02J-102X	MG RESISTOR 1kΩ,1/10W	B3013		NRSA02J-101X	MG RESISTOR 100Ω,1/10W
R4009		NRSA02J-102X	MG RESISTOR 1kΩ,1/10W	B3014		NQR0227-003X	FERRITE CORE
R4010		NRSA02J-102X	MG RESISTOR 1kΩ,1/10W	B3017		NRSA02J-0R0X	MG RESISTOR 0Ω,1/10W
R4011		NRSA02J-102X	MG RESISTOR 1kΩ,1/10W	B3018		NRSA02J-0R0X	MG RESISTOR 0Ω,1/10W
R4012		NRSA02J-222X	MG RESISTOR 2.2kΩ,1/10W	B3019		NRSA02J-102X	MG RESISTOR 1kΩ,1/10W
R4013		NRSA02J-102X	MG RESISTOR 1kΩ,1/10W	B3021		NRSA02J-0R0X	MG RESISTOR 0Ω,1/10W
R4014		NRSA02J-182X	MG RESISTOR 1.8kΩ,1/10W	B3022		NRSA02J-0R0X	MG RESISTOR 0Ω,1/10W
R4015		NRSA02J-223X	MG RESISTOR 22kΩ,1/10W	B3023		NRSA02J-0R0X	MG RESISTOR 0Ω,1/10W
R4016		NRSA02J-103X	MG RESISTOR 10kΩ,1/10W	B3025		NRSA02J-0R0X	MG RESISTOR 0Ω,1/10W
R4017		NRSA02J-102X	MG RESISTOR 1kΩ,1/10W	B3303		QRE141J-0R0Y	RESISTOR 0Ω,1/4W
R4018		NRSA02J-102X	MG RESISTOR 1kΩ,1/10W	B6001		NRSA02J-0R0X	MG RESISTOR 0Ω,1/10W
R4019		NRSA02J-103X	MG RESISTOR 10kΩ,1/10W	B6030		NRSA02J-0R0X	MG RESISTOR 0Ω,1/10W
R4020		NRSA02J-103X	MG RESISTOR 10kΩ,1/10W	B6034		NRSA02J-0R0X	MG RESISTOR 0Ω,1/10W
R4021		NRSA02J-103X	MG RESISTOR 10kΩ,1/10W	B6565		NRSA02J-0R0X	MG RESISTOR 0Ω,1/10W
R6020		NRSA02J-102X	MG RESISTOR 1kΩ,1/10W	B7501		NRSA02J-0R0X	MG RESISTOR 0Ω,1/10W
R6021		NRSA02J-102X	MG RESISTOR 1kΩ,1/10W	B7504		NRSA02J-0R0X	MG RESISTOR 0Ω,1/10W
R6022		NRSA02J-102X	MG RESISTOR 1kΩ,1/10W	B7505		NRSA02J-0R0X	MG RESISTOR 0Ω,1/10W
R6031		NRSA02J-0R0X	MG RESISTOR 0Ω,1/10W	B7513		NRSA02J-0R0X	MG RESISTOR 0Ω,1/10W
R6032		NRSA02J-123X	MG RESISTOR 12kΩ,1/10W	B7515		NRSA02J-0R0X	MG RESISTOR 0Ω,1/10W
R6040		NRSA02J-471X	MG RESISTOR 470Ω,1/10W	B7518		NRSA02J-0R0X	MG RESISTOR 0Ω,1/10W
R6041		NRSA02J-184X	MG RESISTOR 180kΩ,1/10W	B7519		NRSA02J-0R0X	MG RESISTOR 0Ω,1/10W
R6042		NRSA02J-272X	MG RESISTOR 2.7kΩ,1/10W	C1		NCB21EK-103X	CAPACITOR 0.01μF,25V
R6043		NRSA02J-223X	MG RESISTOR 22kΩ,1/10W	C2		NCB21EK-103X	CAPACITOR 0.01μF,25V
R6044		NRSA02J-822X	MG RESISTOR 8.2kΩ,1/10W	C3		NCB21EK-103X	CAPACITOR 0.01μF,25V

#	△	REF No.	PART No.	PART NAME, DESCRIPTION	#	△	REF No.	PART No.	PART NAME, DESCRIPTION
C4			NCB21EK-103X	CAPACITOR	C706		QEKJ0JM-476	E CAPACITOR	47μF,6.3V
C5			QEKJ0JM-476	E CAPACITOR	C708		NCB21HK-103X	CAPACITOR	0.01μF,50V
C6			NCB11EK-104X	CAPACITOR	C709		QEKJ0JM-337	E CAPACITOR	330μF,6.3V
C7			NCB21HK-102X	CAPACITOR	C710		NCB21HK-103X	CAPACITOR	0.01μF,50V
C8			NCB21EK-104X	CAPACITOR	C712		NCB21HK-103X	CAPACITOR	0.01μF,50V
C9			QEKJ1HM-225	E CAPACITOR	C713		NCB21HK-103X	CAPACITOR	0.01μF,50V
C10			NDC21HG-151X	CAPACITOR	C714		NCB21HK-103X	CAPACITOR	0.01μF,50V
C11			NCB21EK-104X	CAPACITOR	C715		QEKJ1CM-226	E CAPACITOR	22μF,16V
C12			NDC21HJ-120X	CAPACITOR	C718		QEKJ1HM-225	E CAPACITOR	2.2μF,50V
C14			NCB21EK-104X	CAPACITOR	C719		NCB21HK-103X	CAPACITOR	0.01μF,50V
C15			NCB21HK-103X	CAPACITOR	C720		QEKJ1HM-225	E CAPACITOR	2.2μF,50V
C16			NCB11EK-104X	CAPACITOR	C721		NDC21HJ-101X	CAPACITOR	100pF,50V
C17			QEKJ1HM-335	E CAPACITOR	C722		NCB21HK-103X	CAPACITOR	0.01μF,50V
C19			QEKJ1CM-106	E CAPACITOR	C757		QEKJ1HM-225	E CAPACITOR	2.2μF,50V
C20			QEKJ1HM-105	E CAPACITOR	C758		NDC21HJ-101X	CAPACITOR	100pF,50V
C21			NCB21EK-104X	CAPACITOR	C759		QEPF1HM-225	NP E CAPACITOR	2.2μF,50V
C22			QEKJ0JM-476	E CAPACITOR	C760		NCB21HK-103X	CAPACITOR	0.01μF,50V
C23			NCB21EK-104X	CAPACITOR	C761		QEKJ1HM-225	E CAPACITOR	2.2μF,50V
C24			NCB21EK-104X	CAPACITOR	C762		NDC21HJ-101X	CAPACITOR	100pF,50V
C25			NDC21HJ-4R0X	CAPACITOR	C763		QEKJ1HM-105	E CAPACITOR	1μF,50V
C26			NCB21EK-103X	CAPACITOR	C764		QEKJ0JM-107	E CAPACITOR	100μF,6.3V
C27			NCB21HK-223X	CAPACITOR	C765		NCB21HK-332X	CAPACITOR	0.0033μF,50V
C28			QEKJ1HM-335	E CAPACITOR	C766		NCB21HK-103X	CAPACITOR	0.01μF,50V
C29			NCB21HK-472X	CAPACITOR	C767		NCB21HK-473X	CAPACITOR	0.047μF,50V
C30			NCB21CK-474X	CAPACITOR	C768		QEKJ1EM-475	E CAPACITOR	4.7μF,25V
C31			QEKJ0JM-476	E CAPACITOR	C769		QEKJ1CM-106	E CAPACITOR	10μF,16V
C32			NCB21EK-104X	CAPACITOR	C770		QEKJ1CM-106	E CAPACITOR	10μF,16V
C33			QEKJ1HM-225	E CAPACITOR	C771		QEKJ1EM-475	E CAPACITOR	4.7μF,25V
C34			NCB21EK-104X	CAPACITOR	C772		NCB21HK-103X	CAPACITOR	0.01μF,50V
C35			NCB21EK-104X	CAPACITOR	C773		NDC21HJ-470X	CAPACITOR	47pF,50V
C36			QEKJ1EM-475	E CAPACITOR	C791		QEKJ0JM-476	E CAPACITOR	47μF,6.3V
C37			NCB21AK-105X	CAPACITOR	C794		QEKJ1HM-225	E CAPACITOR	2.2μF,50V
C38			QEKJ0JM-476	E CAPACITOR	C795		QEKJ1HM-225	E CAPACITOR	2.2μF,50V
C39			NCB21EK-104X	CAPACITOR	C796		NCB21HK-103X	CAPACITOR	0.01μF,50V
C40			QEKJ1CM-106	E CAPACITOR	C797		QEKJ1HM-225	E CAPACITOR	2.2μF,50V
C54			NDC21HJ-221X	CAPACITOR	C799		QEKJ0JM-476	E CAPACITOR	47μF,6.3V
C59			NCB21EK-104X	CAPACITOR	C800		NCB21HK-103X	CAPACITOR	0.01μF,50V
C60			QEKJ0JM-476	E CAPACITOR	C801		NCB21HK-103X	CAPACITOR	0.01μF,50V
C61			NCB21HK-103X	CAPACITOR	C802		NCB21HK-103X	CAPACITOR	0.01μF,50V
C63			NCB21EK-104X	CAPACITOR	C803		NCB21HK-103X	CAPACITOR	0.01μF,50V
C64			NDC21HJ-120X	CAPACITOR	C2001		QETJ1HM-475	E CAPACITOR	4.7μF,50V
C69			NCB21EK-104X	CAPACITOR	C2002		QEKJ1CM-106	E CAPACITOR	10μF,16V
C70			NCB21EK-104X	CAPACITOR	C2003		QEKJ0JM-476	E CAPACITOR	47μF,6.3V
C71			NCB21HK-103X	CAPACITOR	C2004		NCB21HK-103X	CAPACITOR	0.01μF,50V
C72			NDC21HJ-470X	CAPACITOR	C2005		QEKJ1EM-475	E CAPACITOR	4.7μF,25V
C73			NDC21HJ-120X	CAPACITOR	C2006		NCB21HK-123X	CAPACITOR	0.012μF,50V
C74			NDC21HJ-120X	CAPACITOR	C2007		QEKJ1CM-226	E CAPACITOR	22μF,16V
C80			NCB21HK-103X	CAPACITOR	C2008		QEKJ1EM-475	E CAPACITOR	4.7μF,25V
C84			NDC21HJ-220X	CAPACITOR	C2009		NCB21HK-102X	CAPACITOR	0.001μF,50V
C94			NRSA02J-0R0X	MG RESISTOR	C2010		NCB21HK-222X	CAPACITOR	0.0022μF,50V
C106			NDC21HJ-560X	CAPACITOR	C2011		QEKJ1EM-475	E CAPACITOR	4.7μF,25V
C108			NDC21HJ-150X	CAPACITOR	C2012		QEKJ1EM-475	E CAPACITOR	4.7μF,25V
C109			NCB21CK-224X	CAPACITOR	C2051		NCB21HK-331X	CAPACITOR	330pF,50V
C110			NDC21HJ-331X	CAPACITOR	C2052		QFLC1HJ-333Z	F CAPACITOR	0.033μF,50V
C401			NCB21HK-103X	CAPACITOR	C2053		NCB21HK-472X	CAPACITOR	0.0047μF,50V
C402			NCB21HK-223X	CAPACITOR	C2054		NCB21HK-103X	CAPACITOR	0.01μF,50V
C403			NDC21HJ-151X	CAPACITOR	C2055		QEKJ1CM-106	E CAPACITOR	10μF,16V
C404			NDC21HJ-470X	CAPACITOR	C2061		QFLC1HJ-333Z	F CAPACITOR	0.033μF,50V
C406			NDC21HJ-681X	CAPACITOR	C2062		NCB21HK-332X	CAPACITOR	0.0033μF,50V
C407			NDC21HJ-180X	CAPACITOR	C2063		NCB21HK-103X	CAPACITOR	0.01μF,50V
C704			NCB21HK-103X	CAPACITOR	C2064		QEKJ1CM-106	E CAPACITOR	10μF,16V

#	△ REF No.	PART No.	PART NAME, DESCRIPTION	#	△ REF No.	PART No.	PART NAME, DESCRIPTION
C2121		QEKJ1CM-476	E CAPACITOR 47μF,16V	C3032		NCB21EK-104X	CAPACITOR 0.1μF,25V
C2201		NCB21EK-104X	CAPACITOR 0.1μF,25V	C3033		NCB21EK-104X	CAPACITOR 0.1μF,25V
C2202		NCB21EK-333X	CAPACITOR 0.033μF,25V	C3036		NDC21HJ-180X	CAPACITOR 18pF,50V
C2203		QEKJ1CM-106	E CAPACITOR 10μF,16V	C3037		NDC21HJ-120X	CAPACITOR 12pF,50V
C2204		NCB21HK-102X	CAPACITOR 0.001μF,50V	C3040		NCB21HK-103X	CAPACITOR 0.01μF,50V
C2205		QEKJ1HM-105	E CAPACITOR 1μF,50V	C3041		NDC21HJ-100X	CAPACITOR 10pF,50V
C2207		QEKJ1CM-476	E CAPACITOR 47μF,16V	C3042		QETJ0JM-477	E CAPACITOR 470μF,6.3V
C2208		QETJ1HM-475	E CAPACITOR 4.7μF,50V	C3054		NCB21EK-104X	CAPACITOR 0.1μF,25V
C2215		QERF1EM-475	E CAPACITOR 4.7μF,25V	C3602		NCB21EK-104X	CAPACITOR 0.1μF,25V
C2216		QEKJ1HM-474	E CAPACITOR 0.47μF,50V	C3652		NCB21EK-104X	CAPACITOR 0.1μF,25V
C2217		QEKJ1CM-106	E CAPACITOR 10μF,16V	C4002		NCB21EK-104X	CAPACITOR 0.1μF,25V
C2218		QEKJ1HM-474	E CAPACITOR 0.47μF,50V	C4003		NCB21HK-102X	CAPACITOR 0.001μF,50V
C2219		QEKJ1CM-106	E CAPACITOR 10μF,16V	C4004		QERF1CM-226	E CAPACITOR 22μF,16V
C2220		QEKJ1EM-475	E CAPACITOR 4.7μF,25V	C4005		NCB21HK-222X	CAPACITOR 0.0022μF,50V
C2221		NCB21HK-103X	CAPACITOR 0.01μF,50V	C4006		QERF0JM-476	E CAPACITOR 47μF,6.3V
C2222		QEKJ1HM-474	E CAPACITOR 0.47μF,50V	C4007		NCB21HJ-102X	CAPACITOR 0.001μF,50V
C2223		QEKJ1HM-474	E CAPACITOR 0.47μF,50V	C4008		NCB21AK-105X	CAPACITOR 1μF,10V
C2224		NCB21HK-103X	CAPACITOR 0.01μF,50V	C4009		NCB21HK-563X	CAPACITOR 0.056μF,50V
C2225		QEKJ1EM-475	E CAPACITOR 4.7μF,25V	C4010		NCB21EK-223X	CAPACITOR 0.022μF,25V
C2226		QEKJ1CM-106	E CAPACITOR 10μF,16V	C4011		NCB21EK-104X	CAPACITOR 0.1μF,25V
C2227		NCB21CK-104X	CAPACITOR 0.1μF,16V	C4012		NCB21EK-224X	CAPACITOR 0.22μF,25V
C2229		NDC21HJ-101X	CAPACITOR 100pF,50V	C4013		NCB21HK-563X	CAPACITOR 0.056μF,50V
C2230		NDC21HJ-101X	CAPACITOR 100pF,50V	C4014		NDC21HJ-101X	CAPACITOR 100pF,50V
C2231		NCB21HK-222X	CAPACITOR 0.0022μF,50V	C4015		NCB21HJ-102X	CAPACITOR 0.001μF,50V
C2251		QEKJ1CM-476	E CAPACITOR 47μF,16V	C6040		NCB21EK-104X	CAPACITOR 0.1μF,25V
C2252		NCB21HK-103X	CAPACITOR 0.01μF,50V	C6042		NDC21HJ-471X	CAPACITOR 470pF,50V
C2253		NCB21CK-104X	CAPACITOR 0.1μF,16V	C6043		NCB21HK-223X	CAPACITOR 0.022μF,50V
C2254		NCB21CK-104X	CAPACITOR 0.1μF,16V	C6044		QEKJ1HM-225	E CAPACITOR 2.2μF,50V
C2255		NDC21HJ-181X	CAPACITOR 180pF,50V	C7503		QETJ0JM-477	E CAPACITOR 470μF,6.3V
C2601		QEKJ1CM-106	E CAPACITOR 10μF,16V	C7515		NCB21EK-104X	CAPACITOR 0.1μF,25V
C2602		NDC21HJ-101X	CAPACITOR 100pF,50V	C7516		NDC21HJ-101X	CAPACITOR 100pF,50V
C2603		NDC21HJ-101X	CAPACITOR 100pF,50V	L1		QQL29BJ-100Z	COIL 10μH
C2604		QEKJ1CM-476	E CAPACITOR 47μF,16V	L2		QQL231J-680Y	COIL 68μH
C2605		QEKJ1CM-106	E CAPACITOR 10μF,16V	L3		QQL29BJ-100Z	COIL 10μH
C2606		QEKJ1HM-105	E CAPACITOR 1μF,50V	L4		QQL29BJ-100Z	COIL 10μH
C2607		QEKJ1HM-105	E CAPACITOR 1μF,50V	L5		QQL29BJ-100Z	COIL 10μH
C2610		NDC21HJ-101X	CAPACITOR 100pF,50V	L11		QQL01BJ-120Z	COIL 12μH
C2611		NDC21HJ-101X	CAPACITOR 100pF,50V	L13		QQL231J-101Y	COIL 100μH
C2612		QEKJ1CM-106	E CAPACITOR 10μF,16V	L15		QQL29BJ-100Z	COIL 10μH
C2651		QEKJ1CM-106	E CAPACITOR 10μF,16V	L19		QQL231J-100Y	COIL 10μH
C2652		QEKJ1CM-106	E CAPACITOR 10μF,16V	L24		QQL231J-180Y	COIL 18μH
C2653		NDC21HJ-101X	CAPACITOR 100pF,50V	L27		QQL231J-151Y	COIL 150μH
C2654		NDC21HJ-101X	CAPACITOR 100pF,50V	L28		QQL231J-150Y	COIL 15μH
C2655		QEKJ1CM-106	E CAPACITOR 10μF,16V	L401		QQL071J-150Y	COIL 15μH
C2681		QEKJ1CM-106	E CAPACITOR 10μF,16V	L402		QUY153-050Y	IM BUS WIRE
C2682		QEKJ1CM-476	E CAPACITOR 47μF,16V	L701		QQL29BJ-4R7Z	COIL 4.7μH
C2683		QEKJ1CM-476	E CAPACITOR 47μF,16V	L702		QQL29BJ-4R7Z	COIL 4.7μH
C3001		NCB21EK-104X	CAPACITOR 0.1μF,25V	L714		QQL29BJ-4R7Z	COIL 4.7μH
C3002		NCB21HK-103X	CAPACITOR 0.01μF,50V	L715		QQL29BJ-4R7Z	COIL 4.7μH
C3003		QEKJ1CM-106	E CAPACITOR 10μF,16V	L2001		QQL29BJ-100Z	COIL 10μH
C3004		NCB21EK-104X	CAPACITOR 0.1μF,25V	L2251		QQL29BJ-100Z	COIL 10μH
C3008		NCB21HK-102X	CAPACITOR 0.001μF,50V	L2252		QQL29BJ-151Z	COIL 150μH
C3010		QEZO244-229	EDL CAPACITOR 0.0022F,5.5V	L3001		QRE141J-0R0Y	RESISTOR 0Ω,1/4W
C3012		QEKJ0JM-107	E CAPACITOR 100μF,6.3V	L3011		QRE141J-0R0Y	RESISTOR 0Ω,1/4W
C3015		NCB21EK-104X	CAPACITOR 0.1μF,25V	L3012		QRE141J-0R0Y	RESISTOR 0Ω,1/4W
C3016		NCB21EK-104X	CAPACITOR 0.1μF,25V	L6001		QUY153-050Y	IM BUS WIRE
C3022		NCB21EK-104X	CAPACITOR 0.1μF,25V	L6005		QUY153-050Y	IM BUS WIRE
C3024		NDC21HJ-120X	CAPACITOR 12pF,50V	L6032		QUY153-050Y	IM BUS WIRE
C3027		QERF1CM-106	E CAPACITOR 10μF,16V	L7501		QQL29BJ-101Z	COIL 100μH
C3030		QERF1CM-226	E CAPACITOR 22μF,16V	X2		QAX0575-001	CRYSTAL RESONATOR
C3031		NCB21EK-104X	CAPACITOR 0.1μF,25V	X3001		QAX0444-001	CRYSTAL RESONATOR

#	△	REF No.	PART No.	PART NAME, DESCRIPTION	#	△	REF No.	PART No.	PART NAME, DESCRIPTION
		X3002	QAX0527-001	CRYSTAL RESONATOR			Q1408	2SC4081/S/-X	TRANSISTOR
		S3001	QSW0602-004	PUSH SWITCH,REC SAFETY			Q1410	2SC4081/QRS/-X	TRANSISTOR
		S3002	QSW0695-001	PUSH SWITCH,S.CASS.SW				or 2PC4081/R/-X	TRANSISTOR
		K2001	NRSA02J-0R0X	MG RESISTOR			Q1412	2SC4081/QRS/-X	TRANSISTOR
		K2002	NRSA02J-0R0X	MG RESISTOR				or 2PC4081/R/-X	TRANSISTOR
		K2251	NRSA02J-0R0X	MG RESISTOR			Q1413	2SA1576A/QR/-X	TRANSISTOR
		K2252	NRSA02J-0R0X	MG RESISTOR				or 2PA1576/R/-X	TRANSISTOR
		K2253	NRSA02J-0R0X	MG RESISTOR			Q1414	DTC144WU	TRANSISTOR
		PC3001	GP3S123	IC(PHOTO SENSOR				or RN1309	TRANSISTOR
		PC3002	GP3S123	IC(PHOTO SENSOR				or UN521E	TRANSISTOR
		T2051	PELN0860	OSC TRANSFORMER			Q1417	2SC4081/QRS/-X	TRANSISTOR
		T2052	PELN0861	OSC TRANSFORMER				or 2PC4081/R/-X	TRANSISTOR
		T6040	PELN0806	LC TRAP			Q1418	2SA1576A/QR/-X	TRANSISTOR
		OT1	PU59915-105	#500SPACER0.01				or 2PA1576/R/-X	TRANSISTOR
		SD1	LP30644-001A	SHIELD CASE(PRE)			Q1419	DTC124TU	TRANSISTOR
		TU6001	QAU0163-001	TUNER			Q1420	2SC4081/QRS/-X	TRANSISTOR
		WR100	QUQ112-1414CG	FFC WIRE				or 2PC4081/R/-X	TRANSISTOR
		WR3002	QUB351-15A4A4	SIN TWIST WIRE			D1401	RD4.3ES/B2/-T2	ZENER DIODE
		CN1	QGF1028C1-13	FPC CONNECTOR,(1-13)U.DRUM				or MTZJ4.3B	ZENER DIODE
		CN703	QGA2001C1-06	CONNECTOR,(1-6)DIGITAL			D1402	1SS133	DIODE
		CN2001	QGF1207C1-07	FPC CONNECTOR,(1-7)A/C HEAD				or 1N4148M	DIODE
		CN2002	QGB2532J1-02	CONNECTOR,(1-2)FE HEAD			R1401	NRSA02J-181X	MG RESISTOR
		CN2601	QGF1016C3-08	FFC/FPC CONNECTOR,(1-9)DIGITAL			R1402	NRSA02J-101X	MG RESISTOR
		CN3001	QGF1207C1-05	FPC CONNECTOR,(1-5)DRUM			R1404	NRSA02J-182X	MG RESISTOR
		CN3002	QGB2532J1-02	CONNECTOR,(1-2)LOADING MOTOR			R1406	NRSA02J-471X	MG RESISTOR
		CN3003	QGB2015M2-08	CONNECTOR,(1-8)CAPSTAN MOTOR			R1407	NRSA02J-272X	MG RESISTOR
		CN3004	QGB2534J2-04	CONNECTOR,(1-4)ROTARY ENCODER			R1410	NRSA02J-241X	MG RESISTOR
		CN3011	QGF1209F2-18	FFC/FPC CONNECTOR,(1-18)SW/DISPLAY			R1411	NRSA02J-152X	MG RESISTOR
		CN3014	QGF1016C3-06	FFC/FPC CONNECTOR,(1-6)DIGITAL			R1413	NRSA02J-471X	MG RESISTOR
		CN7501	QGB2024K1-13S	CONNECTOR,(3-15)TERMINAL			R1414	NRSA02J-821X	MG RESISTOR
		CN7502	QGB2024K1-07S	CONNECTOR,(1-7)TERMINAL			R1415	NRSA02J-221X	MG RESISTOR
		CN7503	QGB2024K1-10S	CONNECTOR,(7-16)TERMINAL			R1416	NRSA02J-104X	MG RESISTOR
		CN7504	QGB2024K1-11S	CONNECTOR,(1-11)TERMINAL			R1417	NRSA02J-101X	MG RESISTOR
		CN7506	QGF1207C1-14	FPC CONNECTOR,(1-14)S-SUB			R1418	NRSA02J-471X	MG RESISTOR
		CN7507	QGF1209F2-10	FFC/FPC CONNECTOR,(1-10)JACK			R1421	NRSA02J-331X	MG RESISTOR
		CN7508	QGF1207C1-11	FPC CONNECTOR,(3-13)REG			R1426	NRSA02J-561X	MG RESISTOR
		CN7509	QGF1207C1-13	FPC CONNECTOR,(1-13)			R1427	NRSA02J-333X	MG RESISTOR
	△	CP3002	ICP-N15	CIRCUIT PROTECTOR			R1428	NRSA02J-393X	MG RESISTOR
	△	CP3003	ICP-N25	CIRCUIT PROTECTOR			R1429	NRSA02J-152X	MG RESISTOR
	△	CP3004	ICP-N15	CIRCUIT PROTECTOR			R1430	NRSA02J-222X	MG RESISTOR
	△	CP4001	ICP-N25	CIRCUIT PROTECTOR			R1431	NRSA02J-821X	MG RESISTOR

3D DIGITAL/2M BOARD ASSEMBLY <07>									
		PW1	LPA10105-04A	3D DIGITAL/2M BOARD ASSY			R1432	NRSA02J-182X	MG RESISTOR
		IC1401	JCP8026	IC			R1433	NRSA02J-510X	MG RESISTOR
		Q1401	2SC1317/RS/-T	TRANSISTOR			R1434	NRSA02J-153X	MG RESISTOR
		Q1402	2SA1576A/QR/-X	TRANSISTOR			R1435	NRSA02J-223X	MG RESISTOR
			or 2PA1576/R/-X	TRANSISTOR			R1436	NRSA02J-682X	MG RESISTOR
		Q1403	2SA1576A/QR/-X	TRANSISTOR			R1437	NRSA02J-392X	MG RESISTOR
			or 2PA1576/R/-X	TRANSISTOR			R1438	NRSA02J-473X	MG RESISTOR
		Q1406	2SA1576A/QR/-X	TRANSISTOR			R1439	NRSA02J-273X	MG RESISTOR
			or 2PA1576/R/-X	TRANSISTOR			R1440	NRSA02J-473X	MG RESISTOR
		Q1407	2SA1576A/QR/-X	TRANSISTOR			R1441	NRSA02J-682X	MG RESISTOR
			or 2PA1576/R/-X	TRANSISTOR			R1442	NRSA02J-682X	MG RESISTOR
							R1446	NRSA02J-102X	MG RESISTOR
							R1447	NRSA02J-102X	MG RESISTOR
							R1448	NRSA02J-102X	MG RESISTOR
							R1449	NRSA02J-102X	MG RESISTOR
							R1450	NRSA02J-102X	MG RESISTOR
							R1452	NRSA02J-471X	MG RESISTOR
							R1453	NRSA02J-102X	MG RESISTOR
							R1454	NRSA02J-102X	MG RESISTOR
							R1455	NRSA02J-681X	MG RESISTOR
									180Ω,1/10W
									100Ω,1/10W
									1.8kΩ,1/10W
									470Ω,1/10W
									2.7kΩ,1/10W
									240Ω,1/10W
									1.5kΩ,1/10W
									470Ω,1/10W
									820Ω,1/10W
									220Ω,1/10W
									100kΩ,1/10W
									100Ω,1/10W
									470Ω,1/10W
									330Ω,1/10W
									560Ω,1/10W
									33kΩ,1/10W
									39kΩ,1/10W
									1.5kΩ,1/10W
									2.2kΩ,1/10W
									820Ω,1/10W
									1.8kΩ,1/10W
									51Ω,1/10W
									15kΩ,1/10W
									22kΩ,1/10W
									6.8kΩ,1/10W
									3.9kΩ,1/10W
									47kΩ,1/10W
									27kΩ,1/10W
									47kΩ,1/10W
									6.8kΩ,1/10W
									6.8kΩ,1/10W
									1kΩ,1/10W
									1kΩ,1/10W
									1kΩ,1/10W
									1kΩ,1/10W
									1kΩ,1/10W
									470Ω,1/10W
									1kΩ,1/10W
									1kΩ,1/10W
									680Ω,1/10W

#	△ REF No.	PART No.	PART NAME, DESCRIPTION
R1458		NRSA02J-681X	MG RESISTOR 680Ω,1/10W
R1459		NRSA02J-681X	MG RESISTOR 680Ω,1/10W
R1460		NRSA02J-273X	MG RESISTOR 27kΩ,1/10W
R1461		NRSA02J-121X	MG RESISTOR 120Ω,1/10W
R1463		NRSA02J-101X	MG RESISTOR 100Ω,1/10W
VR1401		QVZ3521-103Z	V RESISTOR,D/A LEVEL ADJ
C1401		QEKJ1CM-336	E CAPACITOR 33μF,16V
C1402		NCB21HK-103X	CAPACITOR 0.01μF,50V
C1403		QEKJ0JM-337	E CAPACITOR 330μF,6.3V
C1404		NCF21EZ-104X	CAPACITOR 0.1μF,25V
C1405		NCF21EZ-104X	CAPACITOR 0.1μF,25V
C1406		NCB21HK-103X	CAPACITOR 0.01μF,50V
C1407		NDC21HJ-680X	CAPACITOR 68pF,50V
C1408		NDC21HJ-330X	CAPACITOR 33pF,50V
C1410		QEKJ1EM-475	E CAPACITOR 4.7μF,25V
C1411		NCF21EZ-104X	CAPACITOR 0.1μF,25V
C1412		NDC21HJ-680X	CAPACITOR 68pF,50V
C1413		NDC21HJ-330X	CAPACITOR 33pF,50V
C1415		NCF21EZ-104X	CAPACITOR 0.1μF,25V
C1416		QEKJ1CM-106	E CAPACITOR 10μF,16V
C1417		NCF21EZ-104X	CAPACITOR 0.1μF,25V
C1421		NDC21HJ-330X	CAPACITOR 33pF,50V
C1422		NDC21HJ-680X	CAPACITOR 68pF,50V
C1423		NCF21EZ-104X	CAPACITOR 0.1μF,25V
C1424		NCB21HK-103X	CAPACITOR 0.01μF,50V
C1425		NCB21HK-103X	CAPACITOR 0.01μF,50V
C1426		NDC21HJ-390X	CAPACITOR 39pF,50V
C1428		NDC21HJ-220X	CAPACITOR 22pF,50V
C1429		QEKJ0JM-337	E CAPACITOR 330μF,6.3V
C1430		NCF21EZ-104X	CAPACITOR 0.1μF,25V
C1432		NCF21CZ-105X	CAPACITOR 1μF,16V
C1433		NCF21EZ-104X	CAPACITOR 0.1μF,25V
C1435		NCF21EZ-104X	CAPACITOR 0.1μF,25V
C1436		NCF21EZ-104X	CAPACITOR 0.1μF,25V
C1437		NCF21EZ-104X	CAPACITOR 0.1μF,25V
C1438		NCF21EZ-104X	CAPACITOR 0.1μF,25V
C1439		NCF21CZ-105X	CAPACITOR 1μF,16V
C1440		NCF21EZ-104X	CAPACITOR 0.1μF,25V
C1441		NCF21EZ-104X	CAPACITOR 0.1μF,25V
C1442		NCF21CZ-105X	CAPACITOR 1μF,16V
C1444		NCF21EZ-104X	CAPACITOR 0.1μF,25V
C1445		NCF21EZ-104X	CAPACITOR 0.1μF,25V
C1446		QEKJ0JM-107	E CAPACITOR 100μF,6.3V
C1447		NCF21EZ-104X	CAPACITOR 0.1μF,25V
C1448		QEKJ0JM-337	E CAPACITOR 330μF,6.3V
C1449		NCF21EZ-104X	CAPACITOR 0.1μF,25V
C1450		NCF21EZ-104X	CAPACITOR 0.1μF,25V
C1451		QEKJ1EM-475	E CAPACITOR 4.7μF,25V
C1452		NCF21EZ-104X	CAPACITOR 0.1μF,25V
C1453		NCF21EZ-104X	CAPACITOR 0.1μF,25V
C1454		NCF21EZ-104X	CAPACITOR 0.1μF,25V
C1455		NCF21EZ-104X	CAPACITOR 0.1μF,25V
C1459		NDC21HJ-470X	CAPACITOR 47pF,50V
C1460		NDC21HJ-470X	CAPACITOR 47pF,50V
C1461		NDC21HJ-470X	CAPACITOR 47pF,50V
C1462		NDC21HJ-470X	CAPACITOR 47pF,50V
C1463		QEKJ0JM-336	E CAPACITOR 33μF,6.3V
C1465		NDC21HJ-470X	CAPACITOR 47pF,50V
C1466		NDC21HJ-470X	CAPACITOR 47pF,50V
C1467		NDC21HJ-470X	CAPACITOR 47pF,50V
C1468		NDC21HJ-101X	CAPACITOR 100pF,50V

#	△ REF No.	PART No.	PART NAME, DESCRIPTION
C1471		NCF21EZ-104X	CAPACITOR 0.1μF,25V
C1472		NCF21EZ-104X	CAPACITOR 0.1μF,25V
C1473		NCF21EZ-104X	CAPACITOR 0.1μF,25V
L1401		QQL29BJ-100Z	COIL 10μH
L1402		QQL071J-6R8Y	COIL 6.8μH
L1403		QQL071J-6R8Y	COIL 6.8μH
L1404		QQL071J-6R8Y	COIL 6.8μH
L1405		QQL29BJ-101Z	COIL 100μH
L1406		QQL071J-330Y	COIL 33μH
L1407		QQL29BJ-101Z	COIL 100μH
LC1401		QQR0657-013Z	NOISE FILTER
LC1402		QQR0657-010Z	NOISE FILTER
SD1		LP30706-001C	SHIELD FRAME(S-VHS)
SD2		LP30684-001A	SHIELD CASE(S-VHS)
CN1401		QGG2502K1-17	HEADER PIN,(1-7)MAIN

TERMINAL BOARD ASSEMBLY <06>

PW1	LPA10115-04A	TERMINAL BOARD ASSY
IC7103	MM1511XN	IC
IC7104	LA7106M	IC
Q7122	DTC144WU	TRANSISTOR
	or PDTC144WU	TRANSISTOR
	or UN521E	TRANSISTOR
	or RN1309	TRANSISTOR
D7103	DA204U	DIODE
D7104	DA204U	DIODE
R7101	NRSA02J-750X	MG RESISTOR 75Ω,1/10W
R7102	NRSA02J-750X	MG RESISTOR 75Ω,1/10W
R7103	NRSA02J-750X	MG RESISTOR 75Ω,1/10W
R7104	NRSA02J-750X	MG RESISTOR 75Ω,1/10W
R7105	NRSA02J-750X	MG RESISTOR 75Ω,1/10W
R7106	NRSA02J-750X	MG RESISTOR 75Ω,1/10W
R7107	NRSA02J-750X	MG RESISTOR 75Ω,1/10W
R7108	NRSA02J-101X	MG RESISTOR 100Ω,1/10W
R7109	NRSA02J-750X	MG RESISTOR 75Ω,1/10W
R7110	NRSA02J-750X	MG RESISTOR 75Ω,1/10W
R7158	NRSA02J-750X	MG RESISTOR 75Ω,1/10W
R7159	NRSA02J-101X	MG RESISTOR 100Ω,1/10W
R7160	NRSA02J-101X	MG RESISTOR 100Ω,1/10W
R7161	NRSA02J-101X	MG RESISTOR 100Ω,1/10W
R7162	NRSA02J-101X	MG RESISTOR 100Ω,1/10W
R7163	NRSA02J-101X	MG RESISTOR 100Ω,1/10W
R7164	NRSA02J-101X	MG RESISTOR 100Ω,1/10W
R7170	NRSA02J-102X	MG RESISTOR 1kΩ,1/10W
R7171	NRSA02J-223X	MG RESISTOR 22kΩ,1/10W
R7172	NRSA02J-223X	MG RESISTOR 22kΩ,1/10W
R7173	NRSA02J-0R0X	MG RESISTOR 0Ω,1/10W
R7174	NRSA02J-223X	MG RESISTOR 22kΩ,1/10W
R7175	NRSA02J-223X	MG RESISTOR 22kΩ,1/10W
R7176	NRSA02J-0R0X	MG RESISTOR 0Ω,1/10W
R7177	NRSA02J-223X	MG RESISTOR 22kΩ,1/10W
R7178	NRSA02J-223X	MG RESISTOR 22kΩ,1/10W
R7179	NRSA02J-0R0X	MG RESISTOR 0Ω,1/10W
R7180	NRSA02J-103X	MG RESISTOR 10kΩ,1/10W
R7182	NRSA02J-0R0X	MG RESISTOR 0Ω,1/10W
B7101	NRSA02J-0R0X	MG RESISTOR 0Ω,1/10W
B7102	NRSA02J-0R0X	MG RESISTOR 0Ω,1/10W

#	△ REF No.	PART No.	PART NAME, DESCRIPTION
B7106		QUY153-050Y	IM BUS WIRE
B7110		NRSA02J-0R0X	MG RESISTOR 0Ω,1/10W
B7111		NRSA02J-0R0X	MG RESISTOR 0Ω,1/10W
B7113		NRSA02J-0R0X	MG RESISTOR 0Ω,1/10W
B7114		NRSA02J-0R0X	MG RESISTOR 0Ω,1/10W
B7115		NRSA02J-0R0X	MG RESISTOR 0Ω,1/10W
C7101		NCB21HK-103X	CAPACITOR 0.01μF,50V
C7113		NCB21EK-104X	CAPACITOR 0.1μF,25V
C7115		NCB21EK-104X	CAPACITOR 0.1μF,25V
C7116		QEKJ1CM-476	E CAPACITOR 47μF,16V
C7121		QEKJ0JM-337	E CAPACITOR 330μF,6.3V
C7122		QEKJ0JM-337	E CAPACITOR 330μF,6.3V
C7123		NCB21EK-104X	CAPACITOR 0.1μF,25V
C7124		QEKJ0JM-337	E CAPACITOR 330μF,6.3V
C7125		QEKJ0JM-337	E CAPACITOR 330μF,6.3V
C7126		QEKJ0JM-337	E CAPACITOR 330μF,6.3V
C7127		QEKJ0JM-227	E CAPACITOR 220μF,6.3V
C7128		NCB21EK-104X	CAPACITOR 0.1μF,25V
C7129		QEKJ1CM-106	E CAPACITOR 10μF,16V
C7130		NCB21EK-104X	CAPACITOR 0.1μF,25V
C7131		QEKJ1CM-476	E CAPACITOR 47μF,16V
C7132		NCB21EK-104X	CAPACITOR 0.1μF,25V
C7133		QEKJ1CM-226	E CAPACITOR 22μF,16V
C7134		QEKJ1CM-106	E CAPACITOR 10μF,16V
C7135		QEKJ1CM-226	E CAPACITOR 22μF,16V
C7136		QEKJ1CM-226	E CAPACITOR 22μF,16V
C7168		QEKJ0JM-227	E CAPACITOR 220μF,6.3V
C7169		QEKJ0JM-337	E CAPACITOR 330μF,6.3V
C7170		QEKJ1CM-106	E CAPACITOR 10μF,16V
L7101		QQL29BJ-4R7Z	COIL 4.7μH
L7102		QQL29BJ-100Z	COIL 10μH
ET1		QNZ0431-001Z	EARTH TERMINAL
J7101		QND0084-001	S JACK,S_IN
J7102		QND0009-001	S JACK,S1_OUT
J7103		QND0009-001	S JACK,S2_OUT
J7104		QNN0358-001	PIN JACK,R1_IN
J7105		QNN0359-001	PIN JACK
J7106		QNN0359-001	PIN JACK,R2_OUT
J7110		PU60659	MINI JACK
CN7101		QGB2024J1-13S	CONNECTOR,(1-13)MAIN
CN7102		QGB2024J1-07S	CONNECTOR,(1-7)MAIN
CN7103		QGB2024J1-10S	CONNECTOR,(2-11)MAIN
CN7104		QGB2024J1-11S	CONNECTOR,(1-11)MAIN

A/C HEAD BOARD ASSEMBLY <12>

PW1	LPA10010-01A1	A/C HEAD BOARD ASSY
CN1	QGF1208F1-07	FPC CONNECTOR

#	△ REF No.	PART No.	PART NAME, DESCRIPTION

DEMOD BOARD ASSEMBLY <14>			
PW1		PB11076A	DEMOD BOARD ASSY
IC1501		UPC1852AGT	IC
		or UPC1854AGT	IC
R1501		QRE141J-102Y	RESISTOR 1kΩ,1/4W
R1502		QRE141J-334Y	RESISTOR 330kΩ,1/4W
R1503		QRE141J-124Y	RESISTOR 120kΩ,1/4W
R1504		QRE141J-302Y	RESISTOR 3kΩ,1/4W
R1505		QRE141J-512Y	RESISTOR 5.1kΩ,1/4W
R1506		QRE141J-333Y	RESISTOR 33kΩ,1/4W
R1507		QRE141J-333Y	RESISTOR 33kΩ,1/4W
R1508		QRE141J-392Y	RESISTOR 3.9kΩ,1/4W
R1509		QRE141J-122Y	RESISTOR 1.2kΩ,1/4W
R1510		QRE141J-392Y	RESISTOR 3.9kΩ,1/4W
R1511		QRE141J-122Y	RESISTOR 1.2kΩ,1/4W
R1517		QRE141J-123Y	RESISTOR 12kΩ,1/4W
C1501		QETN1CM-226	E CAPACITOR 22μF,16V
C1502		QETN1HM-104	E CAPACITOR 0.1μF,50V
C1503		QETN1HM-105	E CAPACITOR 1μF,50V
C1504		QETN1HM-475	E CAPACITOR 4.7μF,50V
C1505		QETN1HM-225	E CAPACITOR 2.2μF,50V
C1506		QETN1HM-104	E CAPACITOR 0.1μF,50V
C1507		QFV11HJ-473	F CAPACITOR 0.047μF,50V
C1508		QETN1HM-474	E CAPACITOR 0.47μF,50V
C1509		QETN1HM-104	E CAPACITOR 0.1μF,50V
C1510		QETN1HM-105	E CAPACITOR 1μF,50V
C1511		QETN1HM-105	E CAPACITOR 1μF,50V
C1512		QETN1HM-105	E CAPACITOR 1μF,50V
C1513		QETN1HM-335	T CAPACITOR 3.3μF,50V
C1514		QETN1HM-106	T CAPACITOR 10μF,50V
C1515		QETN1HM-105	E CAPACITOR 1μF,50V
C1516		QETN1HM-106	E CAPACITOR 10μF,50V
C1517		QETN1HM-106	E CAPACITOR 10μF,50V
C1518		QETN1HM-105	E CAPACITOR 1μF,50V
C1521		QETN1HM-106	E CAPACITOR 10μF,50V
BK1		LP40077-001A	BRACKET(BOARD)
CN1501		QGG2502K1-09	HEADER PIN

S-SUB BOARD ASSEMBLY <15>

PW1	LPA10103-04A	S-SUB BOARD ASSY
IC501	JCP8038	IC
IC502	VC2076DP	IC
R503	NRSA02J-221X	MG RESISTOR 220Ω,1/10W
R504	NRSA02J-332X	MG RESISTOR 3.3kΩ,1/10W
R505	NRSA02J-392X	MG RESISTOR 3.9kΩ,1/10W
R506	NRSA02J-391X	MG RESISTOR 390Ω,1/10W
R507	NRSA02J-122X	MG RESISTOR 1.2kΩ,1/10W
R508	NRSA02J-151X	MG RESISTOR 150Ω,1/10W
R509	NRSA02J-162X	MG RESISTOR 1.6kΩ,1/10W
R510	NRVA02D-102X	CMF RESISTOR 1kΩ,1/10W
R511	NRVA02D-471X	CMF RESISTOR 470Ω,1/10W
R512	NRVA02D-102X	CMF RESISTOR 1kΩ,1/10W

#	△ REF No.	PART No.	PART NAME, DESCRIPTION	
R513		NRVA02D-152X	CMF RESISTOR	1.5kΩ,1/10W
R514		NRVA02D-332X	CMF RESISTOR	3.3kΩ,1/10W
R515		NRVA02D-332X	CMF RESISTOR	3.3kΩ,1/10W
R516		NRSA02J-0R0X	MG RESISTOR	0Ω,1/10W
R517		NRSA02J-0R0X	MG RESISTOR	0Ω,1/10W
R522		NRSA02J-103X	MG RESISTOR	10kΩ,1/10W
R523		NRSA02J-103X	MG RESISTOR	10kΩ,1/10W
R524		NRSA02J-103X	MG RESISTOR	10kΩ,1/10W
R525		NRSA02J-125X	MG RESISTOR	1.2MΩ,1/10W
R527		NRSA02J-332X	MG RESISTOR	3.3kΩ,1/10W
R531		NRSA02J-101X	MG RESISTOR	100Ω,1/10W
R532		NRSA02J-101X	MG RESISTOR	100Ω,1/10W
R533		NRSA02J-101X	MG RESISTOR	100Ω,1/10W
R534		NRSA02J-101X	MG RESISTOR	100Ω,1/10W
R535		NRSA02J-101X	MG RESISTOR	100Ω,1/10W
R536		NRSA02J-101X	MG RESISTOR	100Ω,1/10W
B501		NRSA02J-0R0X	MG RESISTOR	0Ω,1/10W
B503		NRSA02J-0R0X	MG RESISTOR	0Ω,1/10W
C501		QEKJ1HM-225	E CAPACITOR	2.2μF,50V
C502		QEKJ1EM-475	E CAPACITOR	4.7μF,25V
C503		QEKJ1HM-225	E CAPACITOR	2.2μF,50V
C504		NCB21EK-104X	CAPACITOR	0.1μF,25V
C505		QEKJ1EM-475	E CAPACITOR	4.7μF,25V
C506		NCB21EK-104X	CAPACITOR	0.1μF,25V
C507		QEKJ0JM-227	E CAPACITOR	220μF,6.3V
C508		QEPF1HM-474	NP E CAPACITOR	0.47μF,50V
C509		QEKJ1CM-106	E CAPACITOR	10μF,16V
C510		QEKJ0JM-227	E CAPACITOR	220μF,6.3V
C511		NCB21HK-103X	CAPACITOR	0.01μF,50V
C512		NCB21HK-103X	CAPACITOR	0.01μF,50V
C513		QEKJ1EM-475	E CAPACITOR	4.7μF,25V
C514		NCB21HK-103X	CAPACITOR	0.01μF,50V
C515		NCB21HK-103X	CAPACITOR	0.01μF,50V
C516		NCB21HK-103X	CAPACITOR	0.01μF,50V
C517		NCF21EZ-104X	CAPACITOR	0.1μF,25V
C518		NCB21EK-104X	CAPACITOR	0.1μF,25V
C519		QEKJ1HM-225	E CAPACITOR	2.2μF,50V
C520		QERF1EM-475	E CAPACITOR	4.7μF,25V
C521		QEKJ1EM-475	E CAPACITOR	4.7μF,25V
C522		QEKJ1HM-225	E CAPACITOR	2.2μF,50V
C523		QEKJ1HM-225	E CAPACITOR	2.2μF,50V
C524		NDC21HG-301X	CAPACITOR	300pF,50V
C525		NDC21HG-301X	CAPACITOR	300pF,50V
C526		NDC21HJ-101X	CAPACITOR	100pF,50V
C527		NDC21HJ-181X	CAPACITOR	180pF,50V
C528		NDC21HG-271X	CAPACITOR	270pF,50V
C529		NDC21HG-820X	CAPACITOR	82pF,50V
C530		NDC21HG-221X	CAPACITOR	220pF,50V
C531		NDC21HG-301X	CAPACITOR	300pF,50V
C532		NDC21HG-301X	CAPACITOR	300pF,50V
C533		NCB21HK-103X	CAPACITOR	0.01μF,50V
C534		QETJ0JM-477	E CAPACITOR	470μF,6.3V
C535		NCB21HK-103X	CAPACITOR	0.01μF,50V
C551		QEKJ1HM-105	E CAPACITOR	1μF,50V
C552		NCB21HK-103X	CAPACITOR	0.01μF,50V
C553		NCB21HK-103X	CAPACITOR	0.01μF,50V
C554		QEKJ1HM-105	E CAPACITOR	1μF,50V
C555		NCB21HK-103X	CAPACITOR	0.01μF,50V
C556		NCB21HK-103X	CAPACITOR	0.01μF,50V
C557		QEKJ1HM-105	E CAPACITOR	1μF,50V
C558		NCB21HK-103X	CAPACITOR	0.01μF,50V

#	△ REF No.	PART No.	PART NAME, DESCRIPTION	
C559		NCB21HK-103X	CAPACITOR	0.01μF,50V
C560		QEKJ1HM-105	E CAPACITOR	1μF,50V
C561		QEKJ1HM-105	E CAPACITOR	1μF,50V
C563		NCB21HK-103X	CAPACITOR	0.01μF,50V
L501		QQL29BJ-100Z	COIL	10μH
L503		QQL29BJ-100Z	COIL	10μH
L504		QQL29BJ-100Z	COIL	10μH
BK1		LP40077-001A	BRACKET(BOARD)	
CN511		GGG2503K2-30	HEADER PIN,(1-30)MAIN	
CN512		GGF1209F2-14	FFC/FPC CONNE,(1-14)MAIN	

ON SCREEN BOARD ASSEMBLY <17>

PW1	LPA10127-05A	ON SCREEN BOARD ASSY	
IC851	LC74785N-9762	IC (OSD)	
Q853	2SA1576A/QR/-X	TRANSISTOR	
	or 2PA1576R/-X	TRANSISTOR	
	or 2SB1218A/QR/-X	TRANSISTOR	
Q857	2SA1576A/QR/-X	TRANSISTOR	
	or 2PA1576R/-X	TRANSISTOR	
	or 2SB1218A/QR/-X	TRANSISTOR	
Q858	2SC4081/QRS/-X	TRANSISTOR	
	or 2SD1819A/QRS/-X	TRANSISTOR	
	or 2PC4081R/-X	TRANSISTOR	
Q859	2SA1576A/QR/-X	TRANSISTOR	
	or 2PA1576R/-X	TRANSISTOR	
	or 2SB1218A/QR/-X	TRANSISTOR	
Q860	DTC114EU	TRANSISTOR	
	or PDTC114EU	TRANSISTOR	
	or RN1302	TRANSISTOR	
	or UN5211	TRANSISTOR	
D851	1SS133	DIODE	
	or 1N4148M	DIODE	
D852	1SS133	DIODE	
	or 1N4148M	DIODE	
D853	1SS133	DIODE	
	or 1N4148M	DIODE	
D854	1SS133	DIODE	
	or 1N4148M	DIODE	
D855	DA204U	DIODE	
R851	QRE141J-102Y	RESISTOR	1kΩ,1/4W
R852	NRSA02J-103X	MG RESISTOR	10kΩ,1/10W
R855	NRSA02J-0R0X	MG RESISTOR	0Ω,1/10W
R856	NRSA02J-103X	MG RESISTOR	10kΩ,1/10W
R857	NRSA02J-0R0X	MG RESISTOR	0Ω,1/10W
R860	NRSA02J-0R0X	MG RESISTOR	0Ω,1/10W
R862	NRSA02J-0R0X	MG RESISTOR	0Ω,1/10W
R863	NRSA02J-331X	MG RESISTOR	330Ω,1/10W
R872	NRSA02J-103X	MG RESISTOR	10kΩ,1/10W
R873	NRSA02J-0R0X	MG RESISTOR	0Ω,1/10W
R874	NRSA02J-0R0X	MG RESISTOR	0Ω,1/10W
R875	NRSA02J-0R0X	MG RESISTOR	0Ω,1/10W
R879	NRSA02J-332X	MG RESISTOR	3.3kΩ,1/10W
R880	NRSA02J-0R0X	MG RESISTOR	0Ω,1/10W
R881	NRSA02J-471X	MG RESISTOR	470Ω,1/10W
R882	NRSA02J-184X	MG RESISTOR	180kΩ,1/10W
R883	NRSA02J-822X	MG RESISTOR	8.2kΩ,1/10W

#	△ REF No.	PART No.	PART NAME, DESCRIPTION
R884		NRSA02J-272X	MG RESISTOR 2.7kΩ,1/10W
R885		NRSA02J-223X	MG RESISTOR 22kΩ,1/10W
R886		NRSA02J-471X	MG RESISTOR 470Ω,1/10W
R887		NRSA02J-103X	MG RESISTOR 10kΩ,1/10W
R891		NRSA02J-0R0X	MG RESISTOR 0Ω,1/10W
B852		NRSA02J-0R0X	MG RESISTOR 0Ω,1/10W
B854		NRSA02J-0R0X	MG RESISTOR 0Ω,1/10W
B855		NRSA02J-331X	MG RESISTOR 330Ω,1/10W
B857		QUY153-050Y	IM BUS WIRE
B860		NRSA02J-0R0X	MG RESISTOR 0Ω,1/10W
B863		NRSA02J-0R0X	MG RESISTOR 0Ω,1/10W
C851		QEKJ0JM-337	E CAPACITOR 330μF,6.3V
C852		NCB21EK-224X	CAPACITOR 0.22μF,25V
C853		NCB21CK-105X	CAPACITOR 1μF,16V
C854		NCB21HK-103X	CAPACITOR 0.01μF,50V
C856		NCB21CK-105X	CAPACITOR 1μF,16V
C857		NDC21HJ-470X	CAPACITOR 47pF,50V
C859		NDC21HJ-680X	CAPACITOR 68pF,50V
C865		NCB21HK-103X	CAPACITOR 0.01μF,50V
C867		NDC21HJ-330X	CAPACITOR 33pF,50V
C868		NDC21HJ-330X	CAPACITOR 33pF,50V
C874		NCB21EK-224X	CAPACITOR 0.22μF,25V
C877		QEKJ1CM-476	E CAPACITOR 47μF,16V
C878		NCB21HK-103X	CAPACITOR 0.01μF,50V
C879		NCB21EK-104X	CAPACITOR 0.1μF,25V
C881		NCB21HK-471X	CAPACITOR 470pF,50V
C882		NCB21HK-223X	CAPACITOR 0.022μF,50V
C883		QEKJ1HM-225	E CAPACITOR 2.2μF,50V
L851		QQL29BK-1R0Z	COIL 1.0μH
L852		QQL231J-390Y	COIL 39μH
L854		QUY153-050Y	IM BUS WIRE
L855		QUY153-050Y	IM BUS WIRE
L857		QUY153-050Y	IM BUS WIRE
L858		QQL37CJ-220Z	COIL 22μH
L859		QQL29BJ-4R7Z	COIL 4.7μH
T851		PELN0806	LC TRAP
BK1		LP40077-001A	BRACKET(BOARD)
CN851		QGG2502K1-20	HEADER PIN

EJECT SW BOARD ASSEMBLY <27>

PW5	LPA10126-01C5	EJECT SW BOARD ASSY
S7011	QSW0456-002Z	TACT SWITCH,VHS EJECT
FW7005	QUM022-15A4A4	PARA RIBON WIRE

SW/DISPLAY BOARD ASSEMBLY <28>

PW1	LPA10126-03A1	SW/DISPLAY BOARD ASSY
IC7001	M35500BGP	IC
	or M35500AGP	IC
	or M35500BFP	IC
IC7002	PNA4652M00XB	IR DETECT UNIT
	or GP1U281X	IR DETECT UNIT
Q7001	DTC114ES	TRANSISTOR

#	△ REF No.	PART No.	PART NAME, DESCRIPTION
D7002		RD9.1ES/B2/-T2	ZENER DIODE
		or UZ9.1BSB	ZENER DIODE
		or MTZJ9.1B	ZENER DIODE
D7004		1SS133	DIODE
		or 1N4148M	DIODE
D7005		1SS133	DIODE
		or 1N4148M	DIODE
D7006		1SS133	DIODE
		or 1N4148M	DIODE
D7009		SLR-342DU3F	LE DIODE
D7010		SLR-342MG3F	LE DIODE
D7011		SLR-342VR3F	LE DIODE
D7013		SLR-342MG3F	LE DIODE
D7014		SLR-342VR3F	LE DIODE
R7001		QRE141J-471Y	RESISTOR 470Ω,1/4W
R7002		QRE141J-471Y	RESISTOR 470Ω,1/4W
R7003		QRE141J-471Y	RESISTOR 470Ω,1/4W
R7004		QRE141J-471Y	RESISTOR 470Ω,1/4W
R7006		QRE141J-103Y	RESISTOR 10kΩ,1/4W
R7007		QRE141J-103Y	RESISTOR 10kΩ,1/4W
R7008		QRE141J-103Y	RESISTOR 10kΩ,1/4W
R7013		QRE141J-103Y	RESISTOR 10kΩ,1/4W
R7014		QUY153-050Y	IM BUS WIRE
R7015		QUY153-050Y	IM BUS WIRE
R7020		QRE141J-103Y	RESISTOR 10kΩ,1/4W
R7021		QRE141J-122Y	RESISTOR 1.2kΩ,1/4W
R7022		QRE141J-182Y	RESISTOR 1.8kΩ,1/4W
R7023		QRE141J-222Y	RESISTOR 2.2kΩ,1/4W
R7024		QRE141J-272Y	RESISTOR 2.7kΩ,1/4W
R7025		QRE141J-472Y	RESISTOR 4.7kΩ,1/4W
R7026		QRE141J-682Y	RESISTOR 6.8kΩ,1/4W
R7027		QRE141J-153Y	RESISTOR 15kΩ,1/4W
R7028		QRE141J-393Y	RESISTOR 39kΩ,1/4W
R7030		QRE141J-103Y	RESISTOR 10kΩ,1/4W
R7031		QRE141J-122Y	RESISTOR 1.2kΩ,1/4W
R7032		QRE141J-182Y	RESISTOR 1.8kΩ,1/4W
R7033		QRE141J-222Y	RESISTOR 2.2kΩ,1/4W
R7034		QRE141J-272Y	RESISTOR 2.7kΩ,1/4W
R7035		QRE141J-472Y	RESISTOR 4.7kΩ,1/4W
R7036		QRE141J-682Y	RESISTOR 6.8kΩ,1/4W
R7037		QRE141J-153Y	RESISTOR 15kΩ,1/4W
R7038		QRE141J-393Y	RESISTOR 39kΩ,1/4W
R7040		QRE141J-103Y	RESISTOR 10kΩ,1/4W
R7041		QRE141J-122Y	RESISTOR 1.2kΩ,1/4W
R7042		QRE141J-182Y	RESISTOR 1.8kΩ,1/4W
R7043		QRE141J-222Y	RESISTOR 2.2kΩ,1/4W
R7044		QRE141J-272Y	RESISTOR 2.7kΩ,1/4W
R7045		QRE141J-472Y	RESISTOR 4.7kΩ,1/4W
R7046		QRE141J-682Y	RESISTOR 6.8kΩ,1/4W
R7047		QRE141J-153Y	RESISTOR 15kΩ,1/4W
R7051		QRE141J-331Y	RESISTOR 330Ω,1/4W
R7052		QRE141J-331Y	RESISTOR 330Ω,1/4W
R7053		QRE141J-331Y	RESISTOR 330Ω,1/4W
R7054		QRE141J-331Y	RESISTOR 330Ω,1/4W
R7057		QRE141J-331Y	RESISTOR 330Ω,1/4W
R7058		QRE141J-331Y	RESISTOR 330Ω,1/4W
R7059		QRE141J-331Y	RESISTOR 330Ω,1/4W
R7060		QRE141J-103Y	RESISTOR 10kΩ,1/4W
C7001		QCFB1HZ-104	CAPACITOR 0.1μF,50V
C7002		QETN1HM-106	E CAPACITOR 10μF,50V
C7007		QEKCOJM-476	E CAPACITOR 47μF,6.3V

#	△ REF No.	PART No.	PART NAME, DESCRIPTION
C7009		QCSB1HJ-150	CAPACITOR 15pF,50V
C7010		QCFB1HZ-104	CAPACITOR 0.1μF,50V
C7011		QEKC1AM-227	E CAPACITOR 220μF,10V
C7019		QDVB1EZ-223Y	CAPACITOR 0.022μF,25V
L7001		QUY153-050Y	IM BUS WIRE
S7001		QSW0456-002Z	TACT SWITCH,POWER
S7002		QSW0456-002Z	TACT SWITCH,CH+
S7003		QSW0456-002Z	TACT SWITCH,CH-
S7004		QSW0456-002Z	TACT SWITCH,REC
S7005		QSW0456-002Z	TACT SWITCH,PAUSE
S7006		QSW0456-002Z	TACT SWITCH,PLAY
S7007		QSW0456-002Z	TACT SWITCH,STOP
S7012		QSW0456-002Z	TACT SWITCH,SVHS ET
S7013		QSW0456-002Z	TACT SWITCH,VHS
S7015		QSW0456-002Z	TACT SWITCH,REW
S7016		QSW0456-002Z	TACT SWITCH,MENU
S7017		QSW0456-002Z	TACT SWITCH,NAVI
S7018		QSW0456-002Z	TACT SWITCH,A.DUB
S7019		QSW0456-002Z	TACT SWITCH,FF
S7021		QSW0456-002Z	TACT SWITCH,LEFT
S7022		QSW0456-002Z	TACT SWITCH,RIGHT
S7023		QSW0456-002Z	TACT SWITCH,OK
S7026		QSW0456-002Z	TACT SWITCH,UP
S7027		QSW0456-002Z	TACT SWITCH,DOWN
DI7001		QLF0031-002	FL TUBE
HD1		PQ34949	FDP HOLDER(L),DI7001
HD2		PQ34950	FDP HOLDER(R),DI7001
HD3		PQ40795-2-2	LED HOLDER,D7009
HD4		PQM30038-1-2	LED HOLDER,D7010
HD5		PQM30038-1-2	LED HOLDER,D7011
HD6		PQM30038-1-2	LED HOLDER,D7013
HD7		PQM30038-1-2	LED HOLDER,D7014
CN7001		QGF1207F1-18	FPC CONNECTOR,(1-18)MAIN

JACK BOARD ASSEMBLY <36>

PW2	LPA10126-03A2	JACK BOARD ASSY
D7063	1SS133	DIODE
	or 1N4148M	DIODE
D7064	1SS133	DIODE
	or 1N4148M	DIODE
D7065	1SS133	DIODE
	or 1N4148M	DIODE
D7066	1SS133	DIODE
	or 1N4148M	DIODE
R7061	QRE141J-750Y	RESISTOR 75Ω,1/4W
R7062	QUY153-050Y	IM BUS WIRE
R7063	QRE141J-750Y	RESISTOR 75Ω,1/4W
R7064	QRE141J-750Y	RESISTOR 75Ω,1/4W
C7061	QDYB1CM-103Y	CAPACITOR 0.01μF,16V
C7062	QCBB1HJ-681	CAPACITOR 680pF,50V
C7064	QCBB1HJ-681	CAPACITOR 680pF,50V
L7061	QQL071J-100Y	COIL 10μH
L7062	QQL071J-100Y	COIL 10μH
L7063	QUY153-050Y	IM BUS WIRE
L7064	QUY153-050Y	IM BUS WIRE

#	△ REF No.	PART No.	PART NAME, DESCRIPTION
J7001		QND0084-001	S JACK,S VIDEO
J7002		PEMC1009-04	PIN JACK,V IN
J7003		PEMC1010-02	PIN JACK(SW),R IN
J7004		PEMC1010-03	PIN JACK(SW),L IN
J7005		PU60659	MINI JACK,R.PAUSE
CN7002		QGF1207F1-10	FPC CONNECTOR,(1-10)MAIN

LED/SW BOARD ASSEMBLY <47>

PW3	LPA10126-03A3	LED/SW BOARD ASSY
D7012	SLR-342DU3F	LE DIODE
D7018	SLR-342VR3F	LE DIODE
S7010	QSW0456-001Z	TACT SWITCH,HDR
S7028	QSW0456-001Z	TACT SWITCH,REC LINK
FW7003	QUM036-04A4A4	PARA RIBON WIRE

DIGITAL BOARD ASSEMBLY <50>

PW1	LPA10121-02A	DIGITAL BOARD ASSY
IC8001	JCP8043-2	IC
IC8002	KM416S1120DT-G8	IC
	or K4S161622D-TC80	IC
IC8003	MN1382/K/-X	IC
IC8201	NDV8501VWB	IC(DIGITAL)
	or NDV8501-2VWA	IC(DIGITAL)
IC8202	K4S641632D-TC1H	IC
IC8203	K4S641632D-TC1H	IC
IC8204	39VF800A7CEK03A	IC(MICRO C ROM)
IC8206	SN74LV573APW	IC
IC8207	SN74LV573APW	IC
IC8210	TC7WU04FU	IC(DIGITAL)
IC8401	MB86390	IC(DIGITAL)
IC8402	KM416S1120DT-G8	IC
	or K4S161622D-TC80	IC
IC8403	KM416S1120DT-G8	IC
	or K4S161622D-TC80	IC
IC8404	KM416S1120DT-G8	IC
	or K4S161622D-TC80	IC
IC8405	KM416S1120DT-G8	IC
	or K4S161622D-TC80	IC
IC8601	JCP8029	IC
IC8801	AK4518-VF-X	IC
IC8802	BA15218F-XE	IC
IC8803	BA15218F-XE	IC
IC8901	SI-3018LS-X	IC
Q8601	2SC4617/RS/-X	TRANSISTOR
Q8602	2SA1774/RS/-X	TRANSISTOR
Q8603	2SC4617/RS/-X	TRANSISTOR
Q8604	2SA1774/RS/-X	TRANSISTOR
Q8605	2SC4617/RS/-X	TRANSISTOR
Q8606	2SC4617/RS/-X	TRANSISTOR

#	△	REF No.	PART No.	PART NAME, DESCRIPTION	#	△	REF No.	PART No.	PART NAME, DESCRIPTION
Q8607			2SC4617/RS/-X	TRANSISTOR	R8244			NRSA63J-103X	MG RESISTOR 10kΩ,1/16W
Q8608			2SC4617/RS/-X	TRANSISTOR	R8245			NRSA63J-103X	MG RESISTOR 10kΩ,1/16W
Q8609			2SC4617/RS/-X	TRANSISTOR	R8246			NRSA63J-112X	MG RESISTOR 1.1kΩ,1/16W
Q8610			2SA1774/RS/-X	TRANSISTOR	R8247			NRSA63J-0R0X	MG RESISTOR 0Ω,1/16W
Q8611			2SC4617/RS/-X	TRANSISTOR	R8401			NRSA63J-512X	MG RESISTOR 5.1kΩ,1/16W
Q8612			2SA1774/RS/-X	TRANSISTOR	R8402			NRSA63J-512X	MG RESISTOR 5.1kΩ,1/16W
Q8613			2SC4617/RS/-X	TRANSISTOR	R8403			NRSA63J-201X	MG RESISTOR 200Ω,1/16W
Q8614			2SA1774/RS/-X	TRANSISTOR	R8406			NRSA63J-201X	MG RESISTOR 200Ω,1/16W
Q8615			2SA1774/RS/-X	TRANSISTOR	R8407			NRSA63J-332X	MG RESISTOR 3.3kΩ,1/16W
Q8616			2SC4617/RS/-X	TRANSISTOR	R8408			NRSA63J-201X	MG RESISTOR 200Ω,1/16W
Q8617			2SA1774/RS/-X	TRANSISTOR	R8409			NRSA63J-201X	MG RESISTOR 200Ω,1/16W
Q8618			2SC4617/RS/-X	TRANSISTOR	R8410			NRSA63J-0R0X	MG RESISTOR 0Ω,1/16W
Q8619			2SA1774/RS/-X	TRANSISTOR	R8601			NRSA63J-333X	MG RESISTOR 33kΩ,1/16W
R8001			NRSA63J-0R0X	MG RESISTOR 0Ω,1/16W	R8602			NRSA63J-223X	MG RESISTOR 22kΩ,1/16W
R8002			NRSA63J-0R0X	MG RESISTOR 0Ω,1/16W	R8603			NRSA63J-821X	MG RESISTOR 820Ω,1/16W
R8004			NRSA63J-0R0X	MG RESISTOR 0Ω,1/16W	R8604			NRSA63J-821X	MG RESISTOR 820Ω,1/16W
R8005			NRSA63J-0R0X	MG RESISTOR 0Ω,1/16W	R8605			NRVA63D-182X	CMF RESISTOR 1.8kΩ,1/16W
R8006			NRSA63J-752X	MG RESISTOR 7.5kΩ,1/16W	R8606			NRSA63J-391X	MG RESISTOR 390Ω,1/16W
R8007			NRSA63J-390X	MG RESISTOR 39Ω,1/16W	R8609			NRSA63J-102X	MG RESISTOR 1kΩ,1/16W
R8008			NRSA63J-562X	MG RESISTOR 5.6kΩ,1/16W	R8610			NRSA63J-751X	MG RESISTOR 750Ω,1/16W
R8009			NRSA63J-105X	MG RESISTOR 1MΩ,1/16W	R8612			NRSA63J-222X	MG RESISTOR 2.2kΩ,1/16W
R8011			NRSA63J-512X	MG RESISTOR 5.1kΩ,1/16W	R8613			NRSA63J-471X	MG RESISTOR 470Ω,1/16W
R8012			NRSA63J-0R0X	MG RESISTOR 0Ω,1/16W	R8616			NRSA63J-684X	MG RESISTOR 680kΩ,1/16W
R8013			NRSA63J-0R0X	MG RESISTOR 0Ω,1/16W	R8617			NRSA63J-221X	MG RESISTOR 220Ω,1/16W
R8014			NRSA63J-820X	MG RESISTOR 82Ω,1/16W	R8618			NRSA63J-223X	MG RESISTOR 22kΩ,1/16W
R8015			NRSA63J-820X	MG RESISTOR 82Ω,1/16W	R8619			NRSA63J-273X	MG RESISTOR 27kΩ,1/16W
R8016			NRSA63J-102X	MG RESISTOR 1kΩ,1/16W	R8620			NRSA63J-102X	MG RESISTOR 1kΩ,1/16W
R8017			NRSA63J-820X	MG RESISTOR 82Ω,1/16W	R8622			NRSA63J-751X	MG RESISTOR 750Ω,1/16W
R8018			NRSA63J-562X	MG RESISTOR 5.6kΩ,1/16W	R8623			NRSA63J-222X	MG RESISTOR 2.2kΩ,1/16W
R8019			NRSA63J-103X	MG RESISTOR 10kΩ,1/16W	R8624			NRVA63D-152X	CMF RESISTOR 1.5kΩ,1/16W
R8020			NRSA63J-103X	MG RESISTOR 10kΩ,1/16W	R8625			NRSA63J-472X	MG RESISTOR 4.7kΩ,1/16W
R8021			NRSA63J-103X	MG RESISTOR 10kΩ,1/16W	R8626			NRSA63J-102X	MG RESISTOR 1kΩ,1/16W
R8022			NRSA63J-330X	MG RESISTOR 33Ω,1/16W	R8627			NRSA63J-331X	MG RESISTOR 330Ω,1/16W
R8023			NRSA63J-330X	MG RESISTOR 33Ω,1/16W	R8628			NRSA63J-331X	MG RESISTOR 330Ω,1/16W
R8024			NRSA63J-330X	MG RESISTOR 33Ω,1/16W	R8629			NRSA63J-273X	MG RESISTOR 27kΩ,1/16W
R8026			NRSA63J-330X	MG RESISTOR 33Ω,1/16W	R8631			NRSA63J-821X	MG RESISTOR 820Ω,1/16W
R8027			NRSA63J-330X	MG RESISTOR 33Ω,1/16W	R8632			NRSA63J-222X	MG RESISTOR 2.2kΩ,1/16W
R8031			NRSA63J-333X	MG RESISTOR 33kΩ,1/16W	R8633			NRSA63J-751X	MG RESISTOR 750Ω,1/16W
R8033			NRSA63J-103X	MG RESISTOR 10kΩ,1/16W	R8635			NRSA63J-102X	MG RESISTOR 1kΩ,1/16W
R8037			NRSA63J-0R0X	MG RESISTOR 0Ω,1/16W	R8636			NRSA63J-391X	MG RESISTOR 390Ω,1/16W
R8039			NRSA63J-0R0X	MG RESISTOR 0Ω,1/16W	R8637			NRSA63J-102X	MG RESISTOR 1kΩ,1/16W
R8040			NRSA63J-0R0X	MG RESISTOR 0Ω,1/16W	R8638			NRSA63J-821X	MG RESISTOR 820Ω,1/16W
R8041			NRSA63J-0R0X	MG RESISTOR 0Ω,1/16W	R8639			NRSA63J-821X	MG RESISTOR 820Ω,1/16W
R8042			NRSA63J-103X	MG RESISTOR 10kΩ,1/16W	R8640			NRSA63J-223X	MG RESISTOR 22kΩ,1/16W
R8044			NRSA63J-222X	MG RESISTOR 2.2kΩ,1/16W	R8641			NRSA63J-273X	MG RESISTOR 27kΩ,1/16W
R8046			NRSA63J-0R0X	MG RESISTOR 0Ω,1/16W	R8643			NRSA63J-102X	MG RESISTOR 1kΩ,1/16W
R8047			NRSA63J-0R0X	MG RESISTOR 0Ω,1/16W	R8644			NRSA63J-201X	MG RESISTOR 200Ω,1/16W
R8203			NRSA63J-0R0X	MG RESISTOR 0Ω,1/16W	R8646			NRSA63J-821X	MG RESISTOR 820Ω,1/16W
R8205			NRSA63J-0R0X	MG RESISTOR 0Ω,1/16W	R8647			NRSA63J-222X	MG RESISTOR 2.2kΩ,1/16W
R8206			NRSA63J-390X	MG RESISTOR 39Ω,1/16W	R8648			NRSA63J-751X	MG RESISTOR 750Ω,1/16W
R8215			NRSA63J-750X	MG RESISTOR 75Ω,1/16W	R8650			NRSA63J-102X	MG RESISTOR 1kΩ,1/16W
R8217			NRSA63J-220X	MG RESISTOR 22Ω,1/16W	R8651			NRSA63J-391X	MG RESISTOR 390Ω,1/16W
R8218			NRSA63J-103X	MG RESISTOR 10kΩ,1/16W	R8652			NRSA63J-222X	MG RESISTOR 2.2kΩ,1/16W
R8224			NRSA63J-0R0X	MG RESISTOR 0Ω,1/16W	R8653			NRSA63J-821X	MG RESISTOR 820Ω,1/16W
R8225			NRSA63J-0R0X	MG RESISTOR 0Ω,1/16W	R8654			NRSA63J-821X	MG RESISTOR 820Ω,1/16W
R8226			NRSA63J-0R0X	MG RESISTOR 0Ω,1/16W	R8655			NRSA63J-273X	MG RESISTOR 27kΩ,1/16W
R8230			NRSA63J-220X	MG RESISTOR 22Ω,1/16W	R8656			NRSA63J-273X	MG RESISTOR 27kΩ,1/16W
R8233			NRSA63J-332X	MG RESISTOR 3.3kΩ,1/16W	R8658			NRSA63J-102X	MG RESISTOR 1kΩ,1/16W
R8241			NRSA63J-0R0X	MG RESISTOR 0Ω,1/16W	R8659			NRSA63J-201X	MG RESISTOR 200Ω,1/16W
R8242			NRSA63J-105X	MG RESISTOR 1MΩ,1/16W	R8660			NRSA63J-272X	MG RESISTOR 2.7kΩ,1/16W
R8243			NRSA63J-0R0X	MG RESISTOR 0Ω,1/16W	R8661			NRSA63J-152X	MG RESISTOR 1.5kΩ,1/16W

#	△ REF No.	PART No.	PART NAME, DESCRIPTION	#	△ REF No.	PART No.	PART NAME, DESCRIPTION
R8662		NRSA63J-821X	MG RESISTOR 820Ω,1/16W	C8005		NEA70JM-107X	E CAPACITOR 100μF,6.3V
R8663		NRSA63J-101X	MG RESISTOR 100Ω,1/16W	C8006		NCB31CK-104X	CAPACITOR 0.1μF,16V
R8664		NRSA63J-473X	MG RESISTOR 47kΩ,1/16W	C8007		NCB31CK-104X	CAPACITOR 0.1μF,16V
R8665		NRSA63J-473X	MG RESISTOR 47kΩ,1/16W	C8008		NCB31CK-104X	CAPACITOR 0.1μF,16V
R8666		NRSA63J-221X	MG RESISTOR 220Ω,1/16W	C8009		NCB31CK-104X	CAPACITOR 0.1μF,16V
R8667		NRSA63J-221X	MG RESISTOR 220Ω,1/16W	C8010		NCB31CK-104X	CAPACITOR 0.1μF,16V
R8668		NRSA63J-221X	MG RESISTOR 220Ω,1/16W	C8011		NCB31CK-104X	CAPACITOR 0.1μF,16V
R8672		NRSA63J-0R0X	MG RESISTOR 0Ω,1/16W	C8012		NEA70JM-107X	E CAPACITOR 100μF,6.3V
R8673		NRSA63J-0R0X	MG RESISTOR 0Ω,1/16W	C8013		NCB31CK-104X	CAPACITOR 0.1μF,16V
R8674		NRSA63J-821X	MG RESISTOR 820Ω,1/16W	C8014		NCB31CK-104X	CAPACITOR 0.1μF,16V
R8675		NRSA63J-101X	MG RESISTOR 100Ω,1/16W	C8015		NCB31CK-104X	CAPACITOR 0.1μF,16V
R8676		NRSA63J-152X	MG RESISTOR 1.5kΩ,1/16W	C8016		NDC31HJ-120X	CAPACITOR 12pF,50V
R8677		NRSA63J-272X	MG RESISTOR 2.7kΩ,1/16W	C8017		NCB31HK-103X	CAPACITOR 0.01μF,50V
R8678		NRSA63J-561X	MG RESISTOR 560Ω,1/16W	C8018		NCB31CK-104X	CAPACITOR 0.1μF,16V
R8801		NRSA63J-153X	MG RESISTOR 15kΩ,1/16W	C8019		NCB31CK-104X	CAPACITOR 0.1μF,16V
R8802		NRSA63J-153X	MG RESISTOR 15kΩ,1/16W	C8020		NCB31CK-104X	CAPACITOR 0.1μF,16V
R8803		NRSA63J-822X	MG RESISTOR 8.2kΩ,1/16W	C8021		NCB31CK-104X	CAPACITOR 0.1μF,16V
R8804		NRSA63J-822X	MG RESISTOR 8.2kΩ,1/16W	C8022		NCB31CK-104X	CAPACITOR 0.1μF,16V
R8810		NRSA63J-100X	MG RESISTOR 10Ω,1/16W	C8023		NCB31CK-104X	CAPACITOR 0.1μF,16V
R8812		NRSA63J-0R0X	MG RESISTOR 0Ω,1/16W	C8024		NCB31CK-104X	CAPACITOR 0.1μF,16V
R8813		NRSA63J-0R0X	MG RESISTOR 0Ω,1/16W	C8025		NEA70JM-107X	E CAPACITOR 100μF,6.3V
R8814		NRSA63J-0R0X	MG RESISTOR 0Ω,1/16W	C8026		NCB31CK-104X	CAPACITOR 0.1μF,16V
R8818		NRSA63J-0R0X	MG RESISTOR 0Ω,1/16W	C8027		NCB31AK-224X	CAPACITOR 0.22μF,10V
R8819		NRSA63J-221X	MG RESISTOR 220Ω,1/16W	C8028		NCB31CK-104X	CAPACITOR 0.1μF,16V
R8820		NRSA63J-222X	MG RESISTOR 2.2kΩ,1/16W	C8029		NBE20JM-106X	T CAPACITOR 10μF,6.3V
R8821		NRSA63J-102X	MG RESISTOR 1kΩ,1/16W	C8030		NCB31CK-104X	CAPACITOR 0.1μF,16V
R8823		NRSA63J-302X	MG RESISTOR 3kΩ,1/16W	C8031		NCB31CK-104X	CAPACITOR 0.1μF,16V
R8824		NRSA63J-221X	MG RESISTOR 220Ω,1/16W	C8032		NDC31HJ-470X	CAPACITOR 47pF,50V
R8825		NRSA63J-222X	MG RESISTOR 2.2kΩ,1/16W	C8033		NCB31CK-104X	CAPACITOR 0.1μF,16V
R8826		NRSA63J-102X	MG RESISTOR 1kΩ,1/16W	C8034		NBE20JM-226X	T CAPACITOR 22μF,6.3V
R8828		NRSA63J-302X	MG RESISTOR 3kΩ,1/16W	C8036		NCB31CK-104X	CAPACITOR 0.1μF,16V
R8829		NRSA63J-102X	MG RESISTOR 1kΩ,1/16W	C8201		NCB31CK-104X	CAPACITOR 0.1μF,16V
R8830		NRSA63J-102X	MG RESISTOR 1kΩ,1/16W	C8202		NCB31CK-104X	CAPACITOR 0.1μF,16V
R8831		NRSA63J-0R0X	MG RESISTOR 0Ω,1/16W	C8203		NCB31CK-104X	CAPACITOR 0.1μF,16V
R8832		NRSA63J-103X	MG RESISTOR 10kΩ,1/16W	C8204		NCB31CK-104X	CAPACITOR 0.1μF,16V
R8833		NRSA63J-102X	MG RESISTOR 1kΩ,1/16W	C8205		NCB31CK-104X	CAPACITOR 0.1μF,16V
R8834		NRSA63J-102X	MG RESISTOR 1kΩ,1/16W	C8206		NCB31CK-104X	CAPACITOR 0.1μF,16V
R8835		NRSA63J-0R0X	MG RESISTOR 0Ω,1/16W	C8207		NCB31CK-104X	CAPACITOR 0.1μF,16V
R8836		NRSA63J-103X	MG RESISTOR 10kΩ,1/16W	C8208		NCB31CK-104X	CAPACITOR 0.1μF,16V
VR8603		NVP1311-102N	V RESISTOR	C8209		NCB31CK-104X	CAPACITOR 0.1μF,16V
VR8604		NVP1311-103N	V RESISTOR	C8210		NCB31CK-104X	CAPACITOR 0.1μF,16V
RA8001		NRZ0040-0R0X	NETWORK RESISTOR 0Ω	C8211		NCB31CK-104X	CAPACITOR 0.1μF,16V
RA8002		NRZ0040-0R0X	NETWORK RESISTOR 0Ω	C8212		NCB31CK-104X	CAPACITOR 0.1μF,16V
RA8003		NRZ0040-0R0X	NETWORK RESISTOR 0Ω	C8213		NCB31CK-104X	CAPACITOR 0.1μF,16V
RA8004		NRZ0040-330X	NETWORK RESISTOR 33Ω	C8214		NCB31CK-104X	CAPACITOR 0.1μF,16V
RA8005		NRZ0040-330X	NETWORK RESISTOR 33Ω	C8215		NCB31CK-104X	CAPACITOR 0.1μF,16V
RA8006		NRZ0040-330X	NETWORK RESISTOR 33Ω	C8216		NBE20JM-226X	T CAPACITOR 22μF,6.3V
RA8007		NRZ0040-330X	NETWORK RESISTOR 33Ω	C8217		NCB31CK-104X	CAPACITOR 0.1μF,16V
RA8008		NRZ0040-330X	NETWORK RESISTOR 33Ω	C8218		NBE20JM-226X	T CAPACITOR 22μF,6.3V
RA8009		NRZ0040-0R0X	NETWORK RESISTOR 0Ω	C8219		NCB31CK-104X	CAPACITOR 0.1μF,16V
RA8010		NRZ0040-0R0X	NETWORK RESISTOR 0Ω	C8220		NBE20JM-226X	T CAPACITOR 22μF,6.3V
RA8212		NRZ0040-0R0X	NETWORK RESISTOR 0Ω	C8221		NCB31CK-104X	CAPACITOR 0.1μF,16V
RA8213		NRZ0040-0R0X	NETWORK RESISTOR 0Ω	C8222		NBE20JM-226X	T CAPACITOR 22μF,6.3V
RA8214		NRZ0040-0R0X	NETWORK RESISTOR 0Ω	C8223		NCB31CK-104X	CAPACITOR 0.1μF,16V
B8001		NRSA63J-0R0X	MG RESISTOR 0Ω,1/16W	C8227		NCB31CK-104X	CAPACITOR 0.1μF,16V
B8002		NRSA63J-0R0X	MG RESISTOR 0Ω,1/16W	C8229		NCB31CK-104X	CAPACITOR 0.1μF,16V
B8201		QRE141J-0R0Y	RESISTOR 0Ω,1/4W	C8230		NCB31CK-104X	CAPACITOR 0.1μF,16V
C8001		NCB31CK-104X	CAPACITOR 0.1μF,16V	C8231		NCB31CK-104X	CAPACITOR 0.1μF,16V
C8002		NCB31CK-104X	CAPACITOR 0.1μF,16V	C8232		NCB31CK-104X	CAPACITOR 0.1μF,16V
C8003		NCB31CK-104X	CAPACITOR 0.1μF,16V	C8233		NCB31CK-104X	CAPACITOR 0.1μF,16V
C8004		NCB31CK-104X	CAPACITOR 0.1μF,16V	C8234		NCB31CK-104X	CAPACITOR 0.1μF,16V

#	△	REF No.	PART No.	PART NAME, DESCRIPTION	#	△	REF No.	PART No.	PART NAME, DESCRIPTION
C8235			NCB31CK-104X	CAPACITOR	C8426			NCB31CK-104X	CAPACITOR
C8236			NCB31CK-104X	CAPACITOR	C8427			NCB31CK-104X	CAPACITOR
C8237			NCB31CK-104X	CAPACITOR	C8428			NCB31CK-104X	CAPACITOR
C8238			NCB31CK-104X	CAPACITOR	C8429			NCB31CK-104X	CAPACITOR
C8239			NCB31CK-104X	CAPACITOR	C8430			NCB31CK-104X	CAPACITOR
C8240			NCB31CK-104X	CAPACITOR	C8431			NCB31CK-104X	CAPACITOR
C8241			NCB31CK-104X	CAPACITOR	C8432			NCB31CK-104X	CAPACITOR
C8242			NCB31CK-104X	CAPACITOR	C8433			NCB31CK-104X	CAPACITOR
C8243			NCB31CK-104X	CAPACITOR	C8434			NCB31CK-104X	CAPACITOR
C8244			NCB31CK-104X	CAPACITOR	C8435			NCB31CK-104X	CAPACITOR
C8245			NCB31CK-104X	CAPACITOR	C8436			NCB31CK-104X	CAPACITOR
C8246			NCB31CK-104X	CAPACITOR	C8437			NCB31CK-104X	CAPACITOR
C8247			NCB31CK-104X	CAPACITOR	C8438			NCB31CK-104X	CAPACITOR
C8248			NCB31CK-104X	CAPACITOR	C8439			NCB31CK-104X	CAPACITOR
C8249			NCB31CK-104X	CAPACITOR	C8440			NBE20JM-106X	T CAPACITOR
C8250			NCB31CK-104X	CAPACITOR	C8441			NCB31CK-104X	CAPACITOR
C8251			NCB31CK-104X	CAPACITOR	C8442			NCB31CK-104X	CAPACITOR
C8252			NCB31CK-104X	CAPACITOR	C8443			NCB31CK-104X	CAPACITOR
C8253			NCB31CK-104X	CAPACITOR	C8444			NCB31CK-104X	CAPACITOR
C8254			NCB31CK-104X	CAPACITOR	C8445			NCB31CK-104X	CAPACITOR
C8255			NCB31CK-104X	CAPACITOR	C8446			NCB31CK-104X	CAPACITOR
C8256			NCB31CK-104X	CAPACITOR	C8447			NBE20JM-106X	T CAPACITOR
C8267			NCB31CK-104X	CAPACITOR	C8448			NCB31CK-104X	CAPACITOR
C8268			NCB31CK-104X	CAPACITOR	C8449			NCB31CK-104X	CAPACITOR
C8269			NCB31CK-104X	CAPACITOR	C8450			NCB31CK-104X	CAPACITOR
C8270			NCB31CK-104X	CAPACITOR	C8451			NCB31CK-104X	CAPACITOR
C8271			NBE20JM-226X	T CAPACITOR	C8452			NCB31CK-104X	CAPACITOR
C8272			NBE20JM-226X	T CAPACITOR	C8453			NCB31CK-104X	CAPACITOR
C8273			NCB31CK-104X	CAPACITOR	C8454			NBE20JM-106X	T CAPACITOR
C8274			NCB31CK-104X	CAPACITOR	C8455			NCB31CK-104X	CAPACITOR
C8280			NCB31CK-104X	CAPACITOR	C8456			NCB31CK-104X	CAPACITOR
C8281			NBE20JM-226X	T CAPACITOR	C8457			NCB31CK-104X	CAPACITOR
C8282			NEA70JM-107X	E CAPACITOR	C8458			NCB31CK-104X	CAPACITOR
C8283			NCB31CK-104X	CAPACITOR	C8459			NCB31CK-104X	CAPACITOR
C8287			NEA70JM-107X	E CAPACITOR	C8460			NCB31CK-104X	CAPACITOR
C8288			NCB31CK-104X	CAPACITOR	C8601			NBE20JM-106X	T CAPACITOR
C8289			NCB31CK-104X	CAPACITOR	C8602			NCB31CK-104X	CAPACITOR
C8401			NBE20JM-226X	T CAPACITOR	C8603			NDC31HJ-8R0X	CAPACITOR
C8402			NBE20JM-106X	T CAPACITOR	C8604			NDC31HJ-150X	CAPACITOR
C8403			NCB31CK-104X	CAPACITOR	C8605			NDC31HJ-390X	CAPACITOR
C8404			NBE20JM-226X	T CAPACITOR	C8606			NDC31HJ-330X	CAPACITOR
C8405			NCB31CK-104X	CAPACITOR	C8607			NCB11AK-475X	T CAPACITOR
C8407			NCB31CK-104X	CAPACITOR	C8608			NCB31HK-103X	CAPACITOR
C8408			NCB31CK-104X	CAPACITOR	C8609			NEA70JM-107X	E CAPACITOR
C8409			NCB31CK-104X	CAPACITOR	C8610			NCB31HK-103X	CAPACITOR
C8410			NCB31CK-104X	CAPACITOR	C8611			NCB31HK-103X	CAPACITOR
C8411			NCB31CK-104X	CAPACITOR	C8612			NCB31CK-104X	CAPACITOR
C8412			NCB31CK-104X	CAPACITOR	C8613			NDC31HJ-8R0X	CAPACITOR
C8413			NCB31CK-104X	CAPACITOR	C8614			NDC31HJ-150X	CAPACITOR
C8414			NCB31CK-104X	CAPACITOR	C8615			NDC31HJ-390X	CAPACITOR
C8415			NCB31CK-104X	CAPACITOR	C8616			NDC31HJ-330X	CAPACITOR
C8416			NCB31CK-104X	CAPACITOR	C8617			NCB31HK-103X	CAPACITOR
C8417			NCB31CK-104X	CAPACITOR	C8618			NCB31HK-103X	CAPACITOR
C8418			NCB31CK-104X	CAPACITOR	C8619			NEA70JM-107X	E CAPACITOR
C8419			NCB31CK-104X	CAPACITOR	C8620			NCB31CK-104X	CAPACITOR
C8420			NCB31CK-104X	CAPACITOR	C8621			NDC31HJ-330X	CAPACITOR
C8421			NCB31CK-104X	CAPACITOR	C8622			NDC31HJ-390X	CAPACITOR
C8422			NCB31CK-104X	CAPACITOR	C8623			NDC31HJ-150X	CAPACITOR
C8423			NCB31CK-104X	CAPACITOR	C8624			NDC31HJ-8R0X	CAPACITOR
C8424			NCB31CK-104X	CAPACITOR	C8625			NCB31CK-104X	CAPACITOR
C8425			NCB31CK-104X	CAPACITOR	C8626			NCB31HK-103X	CAPACITOR

#	△ REF No.	PART No.	PART NAME, DESCRIPTION	#	△ REF No.	PART No.	PART NAME, DESCRIPTION
C8627		NCB31CK-104X	CAPACITOR 0.1μF,16V	C8905		NEA70JM-107X	E CAPACITOR 100μF,6.3V
C8628		NDC31HJ-330X	CAPACITOR 33pF,50V	C8906		NCB31CK-104X	CAPACITOR 0.1μF,16V
C8629		NDC31HJ-390X	CAPACITOR 39pF,50V	C8907		NEA70JM-107X	E CAPACITOR 100μF,6.3V
C8630		NDC31HJ-120X	CAPACITOR 12pF,50V	C8908		NCB31CK-104X	CAPACITOR 0.1μF,16V
C8631		NDC31HJ-8R0X	CAPACITOR 8pF,50V	C8909		NEA70JM-107X	E CAPACITOR 100μF,6.3V
C8632		NCB31CK-104X	CAPACITOR 0.1μF,16V	C8910		NCB31CK-104X	CAPACITOR 0.1μF,16V
C8633		NBE20JM-106X	T CAPACITOR 10μF,6.3V	C8911		NEA70JM-107X	E CAPACITOR 100μF,6.3V
C8634		NBE20JM-106X	T CAPACITOR 10μF,6.3V	C8912		NCB31CK-104X	CAPACITOR 0.1μF,16V
C8635		NCB31HK-103X	CAPACITOR 0.01μF,50V	C8913		NEA70JM-107X	E CAPACITOR 100μF,6.3V
C8636		NCB31CK-104X	CAPACITOR 0.1μF,16V	C8914		NCB31CK-104X	CAPACITOR 0.1μF,16V
C8637		NCB31CK-104X	CAPACITOR 0.1μF,16V	C8915		NEA70JM-107X	E CAPACITOR 100μF,6.3V
C8638		NCB31CK-104X	CAPACITOR 0.1μF,16V	C8916		NCB31CK-104X	CAPACITOR 0.1μF,16V
C8639		NCB31CK-104X	CAPACITOR 0.1μF,16V	C8917		NBE20JM-106X	T CAPACITOR 10μF,6.3V
C8640		NCB31CK-104X	CAPACITOR 0.1μF,16V	C8918		NCB31CK-104X	CAPACITOR 0.1μF,16V
C8641		NCB31CK-104X	CAPACITOR 0.1μF,16V	C8919		NBE20JM-106X	T CAPACITOR 10μF,6.3V
C8642		NCB31CK-104X	CAPACITOR 0.1μF,16V	C8920		NCB31CK-104X	CAPACITOR 0.1μF,16V
C8643		NCB31CK-104X	CAPACITOR 0.1μF,16V	C8921		NEA70JM-107X	E CAPACITOR 100μF,6.3V
C8644		NCB31CK-104X	CAPACITOR 0.1μF,16V	C8922		NCB31CK-104X	CAPACITOR 0.1μF,16V
C8645		NBE20JM-106X	T CAPACITOR 10μF,6.3V	L8001		NQR0339-001X	FERRITE BEAD
C8646		NCB31CK-104X	CAPACITOR 0.1μF,16V	L8401		NQR0339-001X	FERRITE BEAD
C8647		NBE20JM-106X	T CAPACITOR 10μF,6.3V	L8402		NQR0339-001X	FERRITE BEAD
C8648		NCB31CK-104X	CAPACITOR 0.1μF,16V	L8403		NQR0339-001X	FERRITE BEAD
C8649		NBE20JM-106X	T CAPACITOR 10μF,6.3V	L8601		NQL025J-150X	COIL 15μH
C8650		NCB31CK-104X	CAPACITOR 0.1μF,16V	L8602		NQL085J-330X	COIL 33μH
C8651		NCB31CK-104X	CAPACITOR 0.1μF,16V	L8603		NQR0339-001X	FERRITE BEAD
C8652		NCB31CK-104X	CAPACITOR 0.1μF,16V	L8604		NQL025J-150X	COIL 15μH
C8654		NCB31CK-104X	CAPACITOR 0.1μF,16V	L8605		NQL085J-330X	COIL 33μH
C8655		NCB31CK-104X	CAPACITOR 0.1μF,16V	L8606		NQR0339-001X	FERRITE BEAD
C8656		NCB31CK-104X	CAPACITOR 0.1μF,16V	L8607		NQL085J-330X	COIL 33μH
C8657		NCB31CK-104X	CAPACITOR 0.1μF,16V	L8608		NQL025J-150X	COIL 15μH
C8801		NEA71HM-105X	E CAPACITOR 1μF,50V	L8609		NQL085J-330X	COIL 33μH
C8802		NEA71HM-105X	E CAPACITOR 1μF,50V	L8610		NQL025J-150X	COIL 15μH
C8803		NBE20JM-475X	T CAPACITOR 4.7μF,6.3V	△ L8611		NQL035K-100X	COIL 10μH
C8804		NDC31HJ-151X	CAPACITOR 150pF,50V	L8612		NQR0129-002X	FERRITE BEAD
C8805		NCB31CK-104X	CAPACITOR 0.1μF,16V	L8613		NQR0339-001X	FERRITE BEAD
C8806		NCB31CK-104X	CAPACITOR 0.1μF,16V	L8614		NQR0339-001X	FERRITE BEAD
C8807		NBE20JM-475X	T CAPACITOR 4.7μF,6.3V	L8801		NQR0339-001X	FERRITE BEAD
C8808		NDC31HJ-151X	CAPACITOR 150pF,50V	△ L8802		NQL035K-100X	COIL 10μH
C8809		NCB31CK-104X	CAPACITOR 0.1μF,16V	L8803		NQL035K-100X	COIL 10μH
C8810		NBE20JM-226X	T CAPACITOR 22μF,6.3V	X8001		NAX0304-001X	CXO
C8811		NCB31CK-104X	CAPACITOR 0.1μF,16V	K8001		NRSA02J-150X	MG RESISTOR 15Ω,1/10W
C8812		NBE20JM-475X	T CAPACITOR 4.7μF,6.3V	△ K8207		NQR0129-002X	FERRITE BEAD
C8813		NCB31CK-104X	CAPACITOR 0.1μF,16V	K8209		NQR0129-002X	FERRITE BEAD
C8814		NBE20JM-226X	T CAPACITOR 22μF,6.3V	K8210		NQR0339-001X	FERRITE BEAD
C8815		NCB31CK-104X	CAPACITOR 0.1μF,16V	K8901		NQR0339-001X	FERRITE BEAD
C8816		NEA71HM-105X	E CAPACITOR 1μF,50V	K8902		NQR0339-001X	FERRITE BEAD
C8820		NEA71HM-105X	E CAPACITOR 1μF,50V	K8903		NQR0339-001X	FERRITE BEAD
C8825		NCB31HK-332X	CAPACITOR 0.0033μF,50V	K8904		NQR0339-001X	FERRITE BEAD
C8826		NCB31HK-682X	CAPACITOR 0.0068μF,50V	K8905		NQR0339-001X	FERRITE BEAD
C8828		NBE20JM-106X	T CAPACITOR 10μF,6.3V	K8906		NQR0339-001X	FERRITE BEAD
C8830		NCB31HK-332X	CAPACITOR 0.0033μF,50V	K8907		NQR0339-001X	FERRITE BEAD
C8831		NCB31HK-682X	CAPACITOR 0.0068μF,50V	K8908		NQR0339-001X	FERRITE BEAD
C8833		NBE20JM-106X	T CAPACITOR 10μF,6.3V	ET1		QNZ0136-001Z	EARTH TERMINAL
C8834		NCB31CK-104X	CAPACITOR 0.1μF,16V	CN8001		QGA2523F1-40	CONNECTOR,(1-40)HDD
C8835		NEA71CM-476X	E CAPACITOR 47μF,16V	CN8002		QGF1016F2-06W	FFC/FPC CONNECTOR,(1-6)MAIN
C8836		NCB31CK-104X	CAPACITOR 0.1μF,16V	CN8202		QGF1016F2-06W	FFC/FPC CONNECTOR,(1-6)
C8837		NEA71CM-476X	E CAPACITOR 47μF,16V	CN8601		QGA2001F2-06V	CONNECTOR,(1-6)MAIN
C8901		NEA71CM-107X	E CAPACITOR 100μF,16V	CN8801		QGF1016F4-08W	FFC/FPC CONNECTOR,(1-8)MAIN
C8902		NCB31CK-104X	CAPACITOR 0.1μF,16V	CN8901		QGA2001F2-09V	CONNECTOR,(1-9)REG
C8903		NEA71CM-107X	E CAPACITOR 100μF,16V				
C8904		NCB31CK-104X	CAPACITOR 0.1μF,16V				

△ REF No. PART No. PART NAME, DESCRIPTION

LOADING MOTOR BOARD ASSEMBLY <55>

PW2	LPA10010-01A2	LOADING MOTOR BOARD ASSY
CN1	QGB2533K1-02	CONNECTOR

LED BOARD ASSEMBLY <90>

PW4	LPA10126-03A4	LED BOARD ASSY	
D7017	SELU5E20C	LE DIODE	
D7019	QRE141J-103Y	RESISTOR	10kΩ,1/4W
R7056	QRE141J-101Y	RESISTOR	100Ω,1/4W
C7022	QDYB1CM-103Y	CAPACITOR	0.01μF,16V
FW7001	QUM022-07A4A4	PARA RIBON WIRE	

△ REF No. PART No. PART NAME, DESCRIPTION